

BACKSCATTER OPTICAL SNOOT

Instruction Manual for OS-3

THE ULTIMATE STROBE AND SNOOT COMBINATION

Thank you for your purchase of the Backscatter Optical Snoot OS-3. Whether you are a seasoned underwater pro or a new shooter, we hope you enjoy your snoot for years to come.

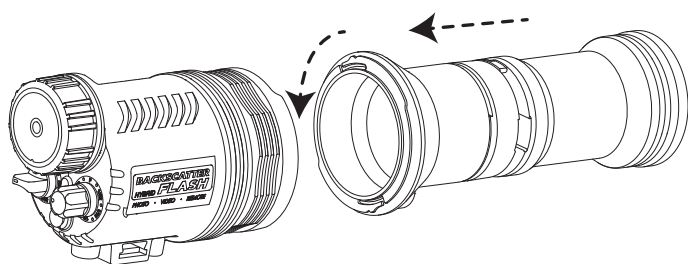
The Backscatter Optical Snoot OS-3 was designed together with the Backscatter Hybrid Flash to be the easiest-to-use strobe and snoot combination possible. Snoot photography can result in some of the most rewarding and creative shots, but can also be a little challenging, particularly for new shooters. If at any time you have any questions about how to use your new snoot or best shooting techniques, don't hesitate to call us. As fellow underwater photographers, we're here to help you get the best shots possible.

DON'T LIKE INSTRUCTIONS? WATCH OUR VIDEO!

We understand that some people never read the instructions. While the operation of the OS-3 is fairly straightforward, these instructions will provide some basic techniques to get you up and running. For more hands-on instruction, please watch our video at www.backscatter.com/OS-3 that shows the best techniques to get the most out of your new snoot.

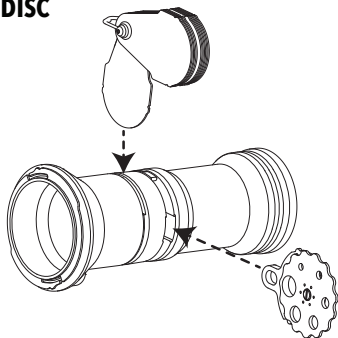
SNOOT INSTALLATION

Simply line up the indicator dot on the snoot with the unlock icon of the Hybrid Flash, insert it into the bayonet mount, and rotate until it clicks and locks into place at the lock icon. To uninstall the snoot, reverse the installation process.



INSTALLATION OF THE APERTURE DISC

The aperture discs allow you to change the size of the beam of light coming from the snoot to better tailor the light to the size of the subject. There are two aperture discs included: one with circles and one with ovals. Each has 6 settings. The snoot can be used without an aperture disc, giving it a total of 7 different beam settings. Insert the aperture disc into the slot just behind the optical section of the snoot, near the lanyard attachment, with the loop inserted into the snoot until it clicks. Rotate the aperture disc for the desired size of the beam pattern.



The loop on the aperture disc is designed to be used with a double-end snap clip to conveniently attach to a D-ring on a BC or a camera rig when not in use.

SHOOTING TIPS

Use the LED lights of the Hybrid Flash to see where the flash will hit. The LED light beam will project the exact same beam as the flash, giving an accurate aiming light to line up the subject.

Frame up the composition first, then move the snoot into position to light the subject.

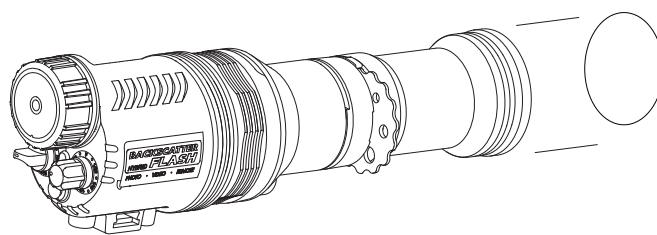
The minimum usable distance from the subject to the snoot is about 200mm in water. This distance will produce a focused, sharp edge to the beam. If you are practicing on land, the distance to produce a sharp edge to the beam will be closer than in water.

If you want to have a softer edge to the light, move the snoot a little further away from the subject.

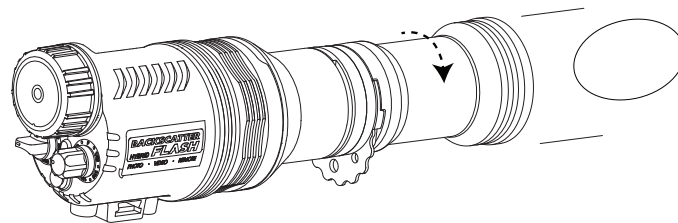
If you have the option to use a larger aperture hole at a closer distance, this will transmit more light than a smaller hole at a longer distance.

Use the oval aperture disc for longer subjects like nudibranchs and long, slender fish to better tailor the light to the subject.

With the oval aperture disc installed and the snoot at an angle to the subject, the snoot can be rotated to either elongate the oval shape or return the shape to a circle..



Rotate the snoot to change the beam shape



DISTRIBUTED BY:

BACKSCATTER • +1-831-645-1082 • sales@backscatter.com • www.backscatter.com

Warranty Information for OS-3

OS-3 PARTS

WARRANTY

Backscatter warrants this product to be free from defects in materials and workmanship under normal use for a period of one (1) year from the original date of retail purchase. During the warranty period, Backscatter will, at its sole discretion, repair or replace any defective unit without charge for parts or labor. The determination of whether a product is defective shall be made solely by Backscatter.

WARRANTY COVERAGE

This warranty covers:

- Manufacturing defects in materials or assembly.
- Electrical or mechanical failures that occur under normal, recommended operating conditions.

WARRANTY EXCLUSIONS

This warranty does not cover:

- Damage caused by improper use, accident, misuse, abuse, or neglect.
- Damage caused by improper maintenance, service, or modifications not authorized by Backscatter.
- Normal wear and tear, including but not limited to scratches, cosmetic blemishes, and consumables.
- Damage due to use with non-recommended accessories or attachments.

WARRANTY SERVICE

To obtain warranty service:

- Retain your original proof of purchase.
- Contact Backscatter or your authorized dealer for instructions.

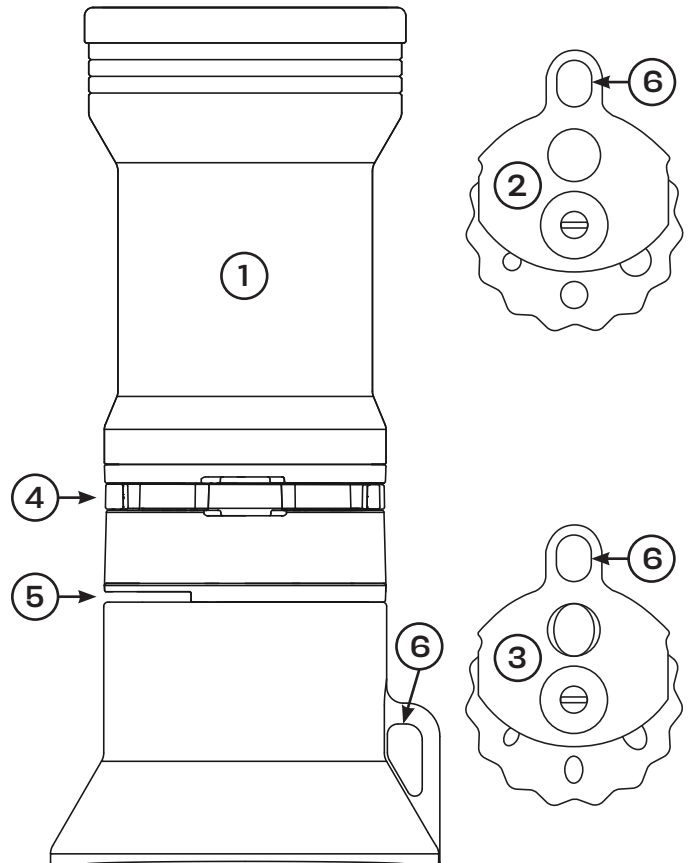
LIMITATIONS

- This warranty is valid only for the original purchaser and is non-transferable.
- The liability of Backscatter is limited solely to the repair or replacement of the defective product.
- Backscatter is not responsible for incidental or consequential damages of any kind, including loss of data, images, or other equipment, except where such limitation is prohibited by law.
- Some jurisdictions do not allow limitations on implied warranties, or the exclusion or limitation of incidental or consequential damages. In such cases, these limitations may not apply.

YOUR LEGAL RIGHTS

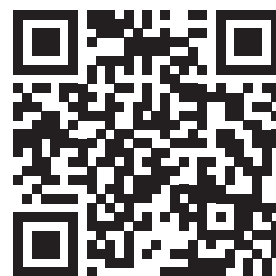
This warranty gives you specific legal rights. You may also have other rights which vary by state, province, or country.

For customers in the European Union, United Kingdom, Australia, and other regions with statutory consumer protection laws: this warranty is provided in addition to, and does not affect, your statutory rights under applicable national laws relating to the sale of consumer goods.



1. OS-3 Snout
2. Circular Aperture Disc
3. Oval Aperture Disc
4. Aperture Disc Slot
5. Color Filter Slot
6. Clip Off Loop

Watch our instructional videos:
www.backscatter.com/OS-3-Support



DISTRIBUTED BY:

BACKSCATTER • +1-831-645-1082 • sales@backscatter.com • www.backscatter.com