

37306 N100 to N120 25mm Port Adaptor

Instruction Manual

FOREWORD

Thank you for your purchase of a NAUTICAM product.

At NAUTICAM, we pride ourselves in the ability to recognize the requirements of professional as well as amateur underwater photographers and fulfill them through the innovative designs of our products. We strive to achieve a high level of user-friendliness by allowing stress-free installation and easy operation of all important functions of the camera.

Please read this manual carefully before using the product, this will maximize its performance as well as its lifetime.

WARRANTY

All NAUTICAM Products are warranted against any material and manufacturing defects for two years from the date of purchase for consumer use. This warranty only applies to products purchased from authorized NAUTICAM dealers and does not extend beyond the original retail purchaser.

To return your product for service, please contact your regional authorized service center(s). Please note that this warranty only applies when the product is purchased in the territory where the service center is located.

NAUTICAM does not hold responsibility for damage, of any nature, to any equipment used with and/or placed within our products.

NAUTICAM accepts no liability for any loss of captured images or the inability to capture images even if it is due to the malfunctioning of our products.

Unauthorized modifications and/or repairs of our products will automatically invalidate the warranty.

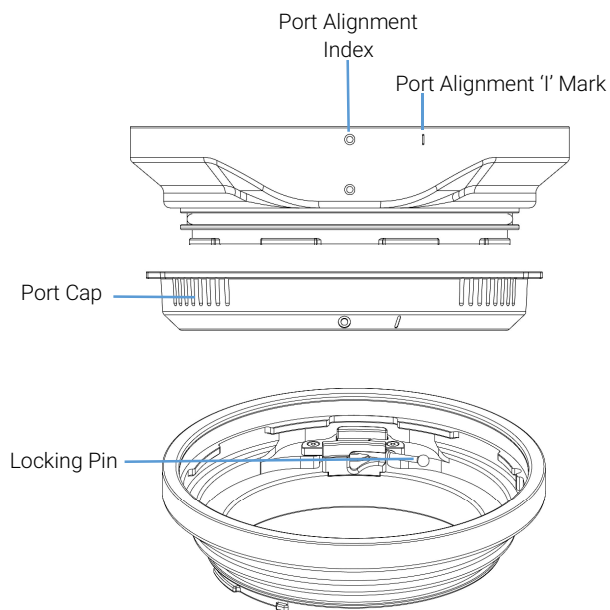
PRECAUTIONS

- After installation of the port combo, please make sure the O-ring (s) are free from debris and uneven surface issues.
- A water-tight test without the camera inside the housing is highly recommended after the changing of port and O-ring(s).
- Do not use lubricants from other brands with the silicone rubber O-ring on this housing, only use the lubricant provided by NAUTICAM.
- Discontinue use immediately should you notice any leakage.
- Do not open the product in a wet or sandy environment. Protect the interior from moisture and debris in order to prevent malfunction or leakage.
- Defective products should be shipped to our distributors for service, unauthorized disassembling and/or modifications could result in malfunction or leakage.

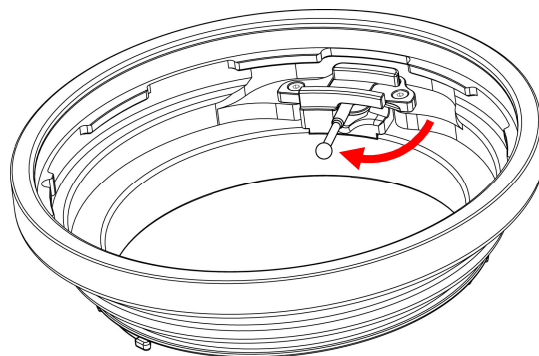
PACKAGE CONTENTS

- N100 to N120 25mm Port adaptor
- Rear cap
- 1x Spare O-ring
- Lubricant
- Manual instruction card

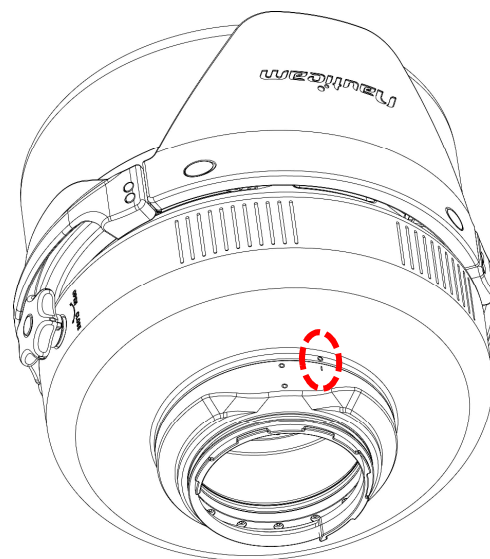
IDENTIFICATION OF PARTS



MOUNTING TO A PORT

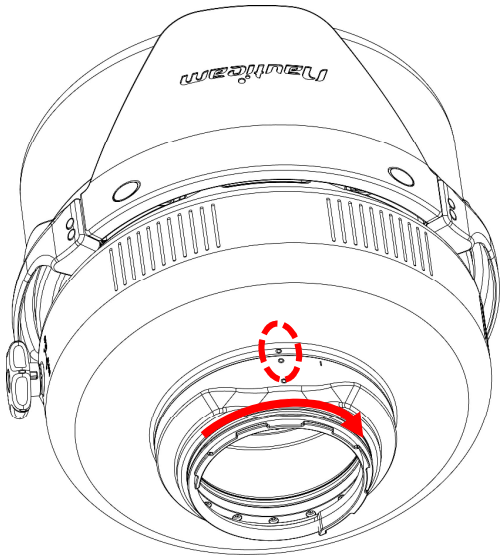


1. Confirm that the port adaptor is unlocked with the locking pin pointing upwards as shown.

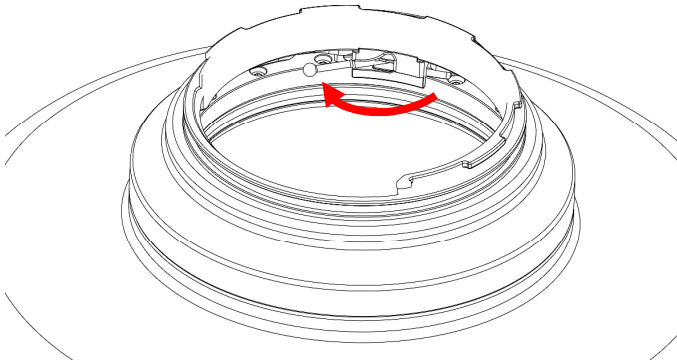


2. Align the "I" mark on the extension ring with the white dot on the port.

Gently push the port adaptor towards the port until it cannot go any further.



3. Turn the port adaptor clockwise until the white dot on the port adaptor aligns with the white dot on the port.



4. To lock the port adaptor, push the locking pin inwards.

Ensure that the locking device is secured inside the recess and the port adaptor is securely locked with the port.

To unlock, insert a small screwdriver into the recess to lift the locking device, then reverse the above procedures.

SPECIFICATIONS

37306 N100 TO N120 25MM PORT ADAPTOR	
Dimensions(mm):	DIA132.2x35.8
Type:	N100 to N120 port adaptor

Remark: Nauticam supports only e-manuals. Please download corresponding product manuals on Nauticam.com website, or contact us for e-manuals.