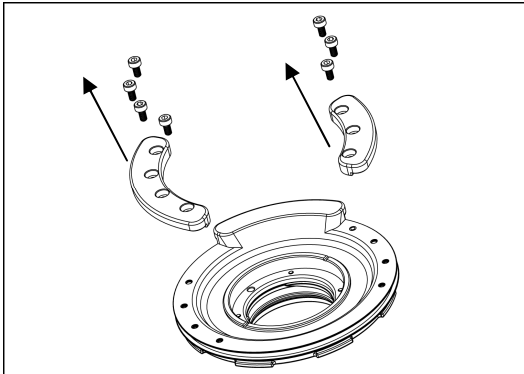


# 37202 Nikonos Adaptor for NA-A7II

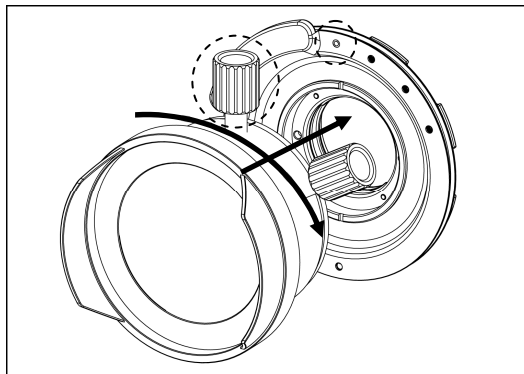
## Instruction Manual

Please follow the instructions below to mount the Nikonos Lens to the port adaptor.

*Note: This adaptor do not support Nikonos 28mm and 50mm lenses.*

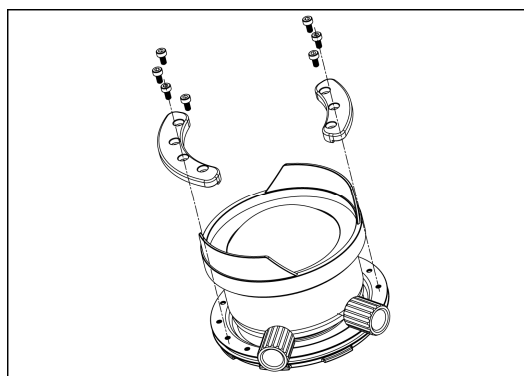


1. Detach the two section rings from the adaptor by removing the screws.

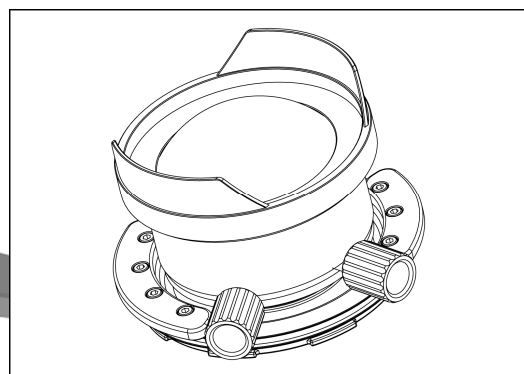


2. Align the focus knob of the Nikonos lens with the index mark on the adaptor and then gently pushing it into the adaptor until it cannot go in any further.

3. Turn the Nikonos lens clockwise for 90°.



4. Install the two section rings back onto the adaptor and tighten it with screws.



5. Refer to the housing manual for mount the adaptor to housing.

6. To remove the Nikonos lens from the adaptor, reverse the above steps.