

## 37165 N100 Flat Port 45 with Focus Knob

### Instruction Manual

(This manual applies to product shipped from Oct 2021, serial number from A500765 onwards)

### FOREWORD

Thank you for your purchase of a NAUTICAM product.

At NAUTICAM, we pride ourselves in the ability to recognize the requirements of professional as well as amateur underwater photographers and fulfill them through the innovative designs of our products. We strive to achieve a high level of user-friendliness by allowing stress-free installation and easy operation of all important functions of the camera.

Each product is individually inspected and water pressure tested to ensure optimum quality.

Please read this manual carefully before using the product, this will maximize its performance as well as its lifetime

### WARRANTY

All NAUTICAM Products are warranted against any material and manufacturing defects for two years from the date of purchase for consumer use. This warranty only applies to products purchased from authorized NAUTICAM dealers and does not extend beyond the original retail purchaser.

To return your product for service, please contact your regional authorized service center(s). Please note that this warranty only applies when the product is purchased in the territory where the service center is located.

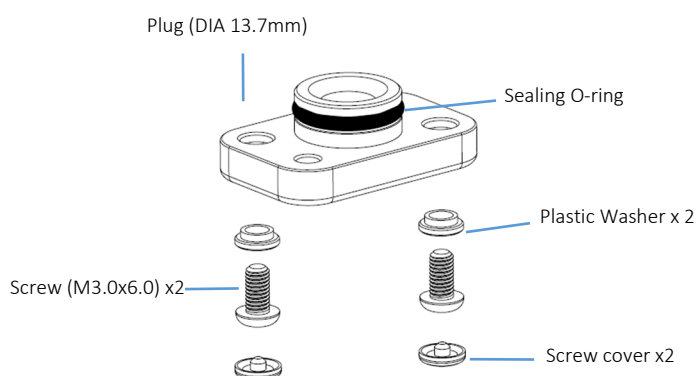
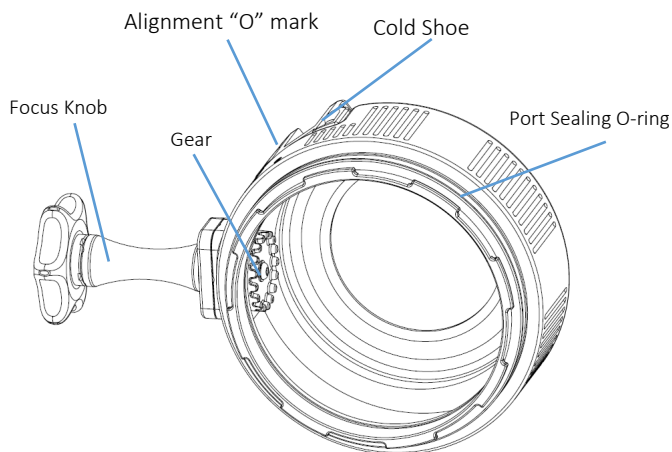
NAUTICAM does not hold responsibility for damage, of any nature, to any equipment used with and/or placed within our products.

NAUTICAM accepts no liability for any loss of captured images or the inability to capture images even if it is due to the malfunctioning of our products.

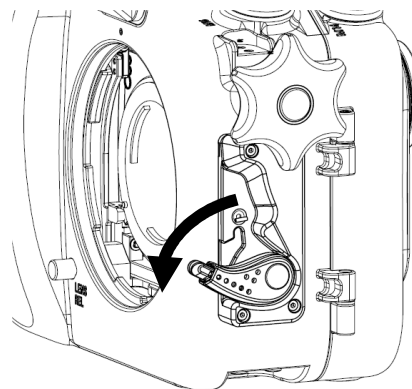
Unauthorized modifications and/or repairs of our products will automatically invalidate the warranty.

### PRE-CAUTIONS

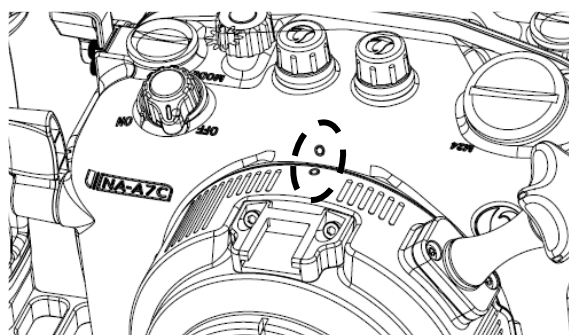
- After installation of the port combo, please make sure the o-ring (s) are free from debris and uneven surface issues.
- A water-tight test without the camera inside the housing is highly recommended after the changing of port and O-ring(s).
- Do not use lubricants from other brands with the silicone rubber O-ring on this housing, only use the lubricant provided by NAUTICAM.
- Discontinue use immediately should you notice any leakage.
- Do not open the product in a wet or sandy environment. Protect the interior from moisture and debris in order to prevent malfunction or leakage.
- Defective products should be shipped to our distributors for service, unauthorized disassembling and/or modifications could result in malfunction or leakage.



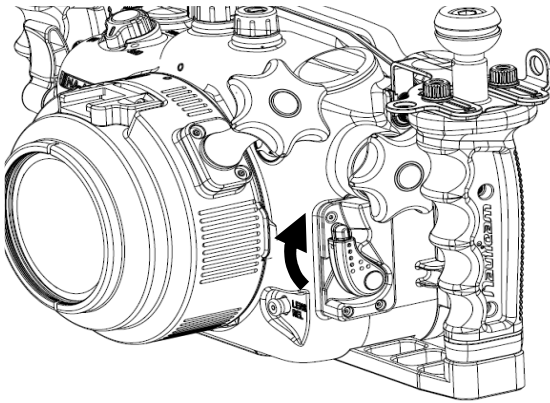
### MOUNT THE PORT ON A HOUSING



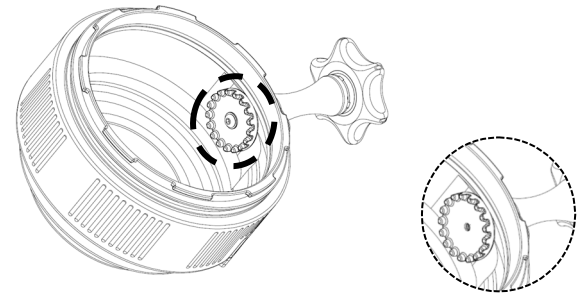
1. Turn the port locking lever of the housing to the release position as shown.



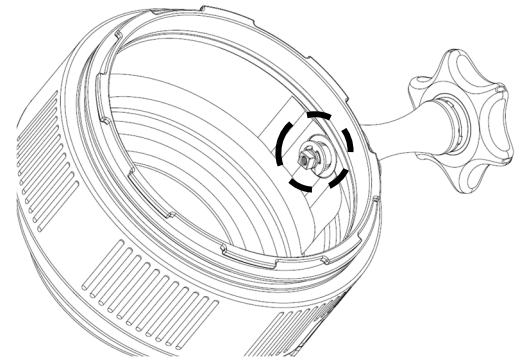
- Align the "O" mark on the port with the WHITE dot on the housing. Gently push the port towards the housing until it cannot go any further.



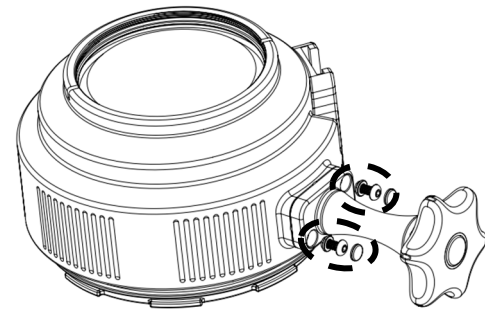
- Lock the port into place by turning the port locking lever of the housing to the inward position. To ensure that the port is securely mounted, confirm that the green line on the safety button of the port locking lever is visible.



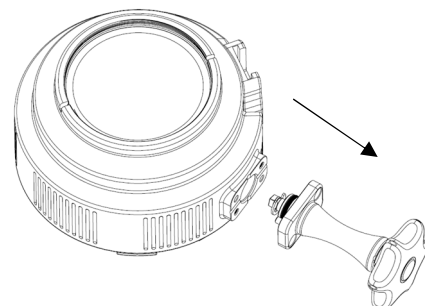
- Take the gear and screw along with a c-ring out as shown below.



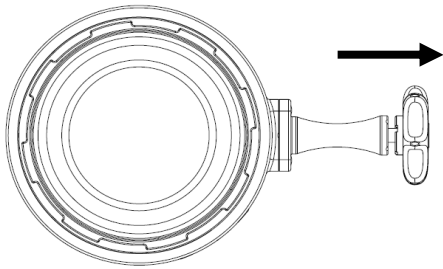
- Followed by remove the screw cover and screw sets from the focus knob plug (with a push pin or a sharp object).



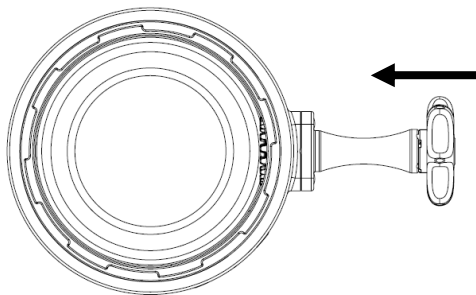
- Gently pull out the whole focus knob set from the port, and store the focus knob set along with the internal gear and screws in a safe bag for future use.



#### ENGAGE WITH LENS GEAR



- Make sure the focus knob is at its most outwards position before mounting/unmounting the port. The knob should be left at this position until it is made sure that the lens and focus gear is properly installed.

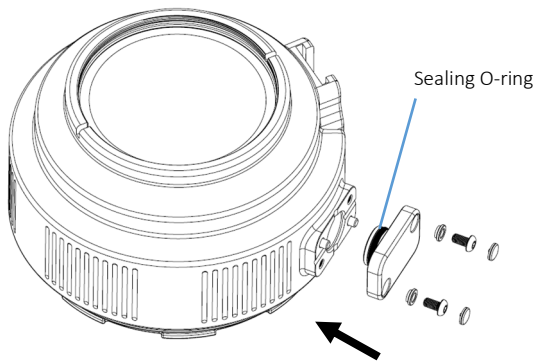


- Engage the gear by pushing in the knob, then turn the knob both ways to check if the lens focuses.

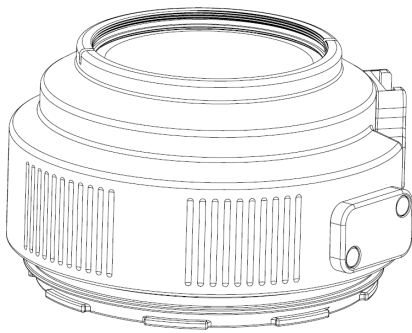
#### REMOVE THE FOCUS KNOB AND SEAL IT WITH PROVIDED PLUG

- Remove the internal gear by using the appropriate Allen Key after removal of the screw.

5. Install the provided plug onto the port body as shown, and tighten the two screws by Allen Key. Please lightly lubricate the sealing O-ring and make sure no debris before installation.



6. Gently push the screw covers back to cover the screws as shown to finish the installation.



Reverse the above steps to install the focus knob back.

## SPECIFICATIONS

Dimensions:	122.35×112×69.1
Port Mount:	N100
Depth Rating:	150m
Included Accessories	Plastic port cap Rear port Cap Spare Port O-ring Lubricant Water-proof plug Manual card

Remark: Nauticam supports only e-manuals. Please download corresponding product manuals on [Nauticam.com](http://Nauticam.com) website, or contact us for e-manuals.