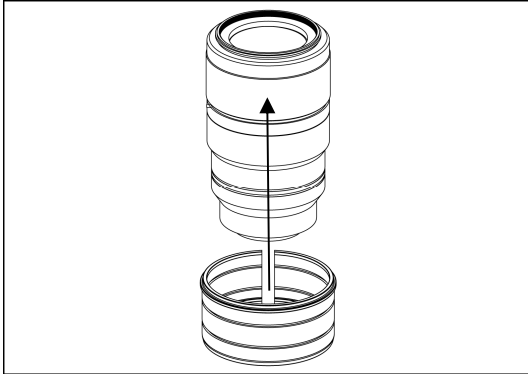


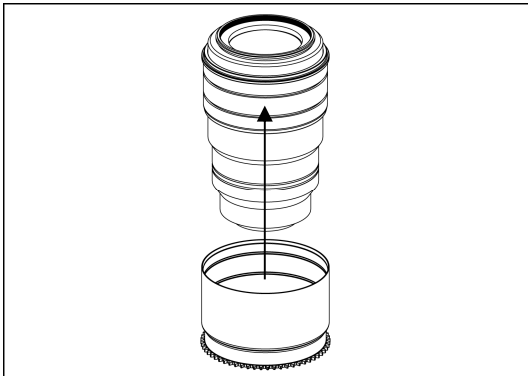
## 36175 SFE90-F

### Focus gear for Sony FE 90mm F2.8 Macro G OSS (to use on NEX/AXXXX series)

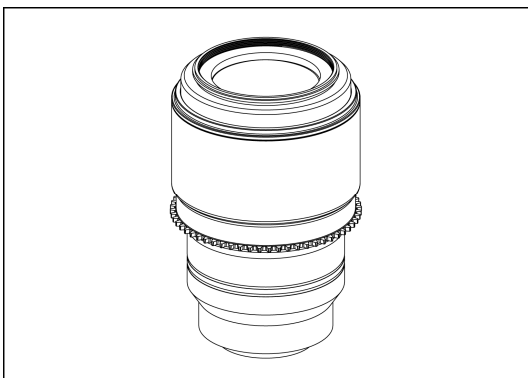
Please follow the instructions below to mount the dedicated focus gear on the lens.



1. Set the lens focus ring to "AF" position.
2. Insert the plastic c-ring as shown and place it over the lens focus ring.



3. Insert the gear of SFE90-F on the plastic c-ring until it reaches the flange of the plastic c-ring.



4. To remove the SFE90-F gear, reverse the above steps.
5. The tightness between the SFE90-F gear and the lens can be adjusted by removing or adding rubber grips on either sides of the plastic c-ring, spare rubber grips are included in the package.

#### SPECIFICATIONS

Dimensions(mm):	DIA87.5x56.5
Type:	Focus gear
Compatible lens:	Sony FE 90mm F2.8 Macro G OSS
Compatible adaptor/extension ring:	36205 N85 to N100 65mm Port Adaptor with zoom/focus knob