

Flash Trigger for Canon

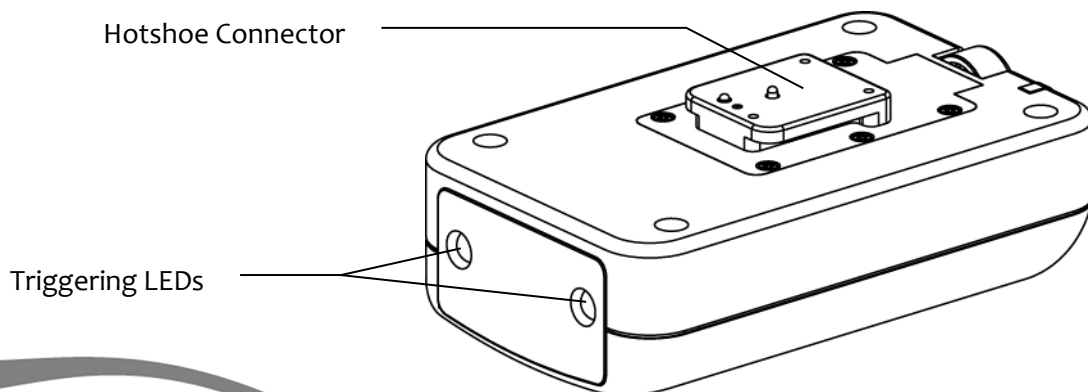
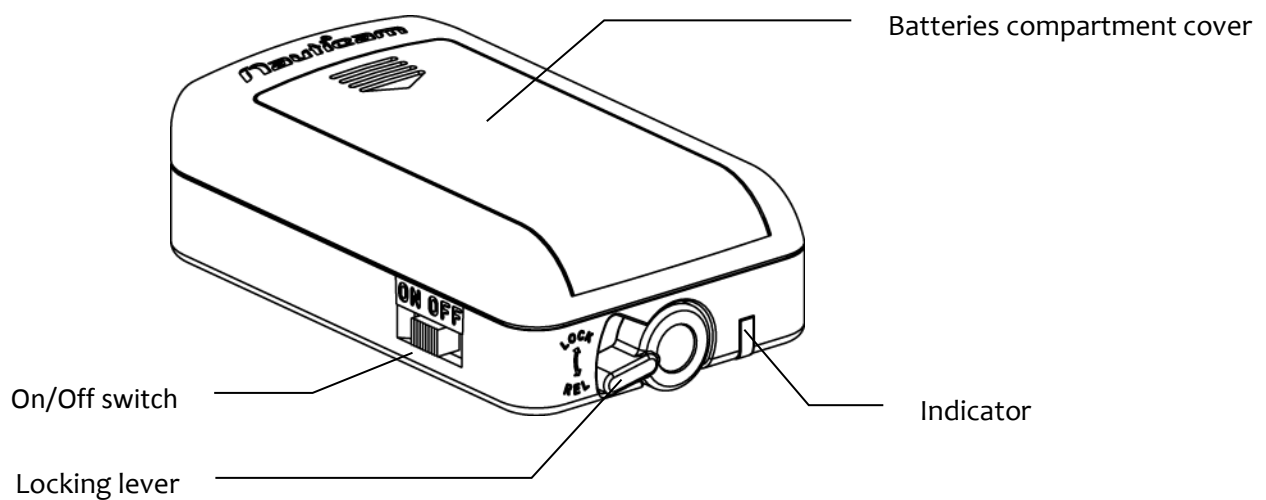
Instruction Manual

Specifications:

Construction:	Body: PC+ABS
Dimensions:	Approx. 80 x 50 x 28mm
Weight:	Approx. 69.5g (w/ batteries installed)
Battery:	Panasonic CR3032 x2pcs
Operation:	This a manual flash trigger only and has no TTL function.
Flash Capacity:	Approx. 5000times
Compatible housings:	NA-1DX, NA-5DMKIII, NA-6D
Compatible strobes:	INON: Z240 type 4, D2000 type 4, S2000 Sea&Sea*: YS-250, YS-D1, YS-01

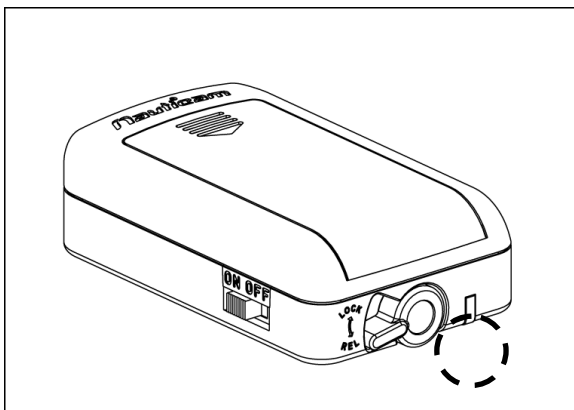
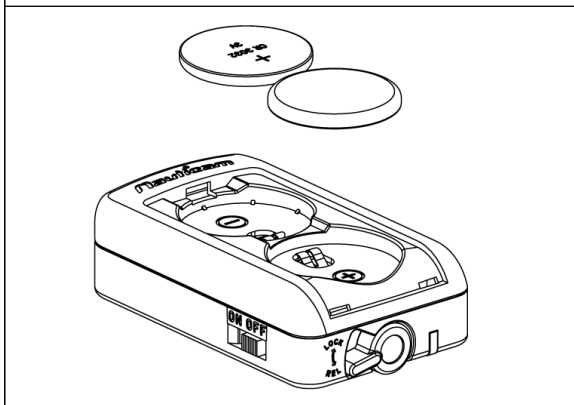
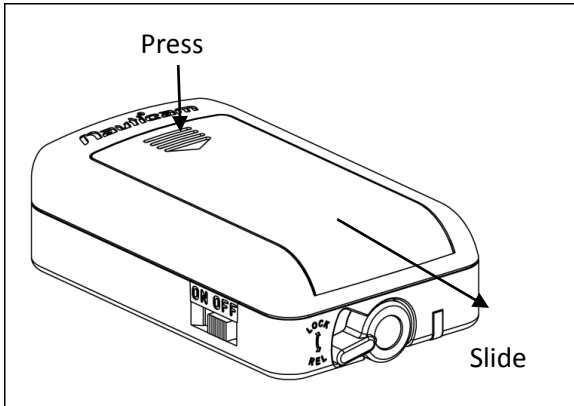
* Require a reflective prism (26312, 26313) to be installed on the housing.

Identification of Parts:



Batteries Installation:

This product can only be used with CR 3032 batteries. Never use other kinds of batteries. And it is recommended to use with Panasonic CR3032 to ensure quality consistency and durability.



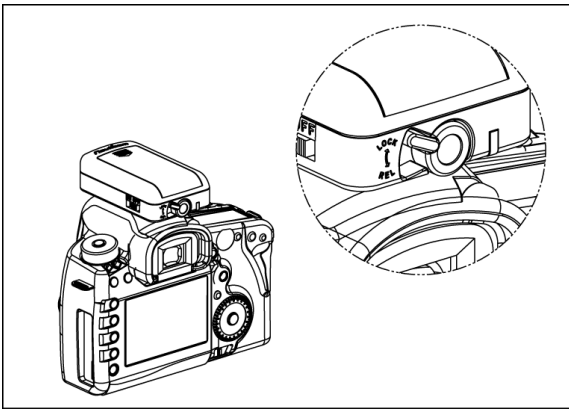
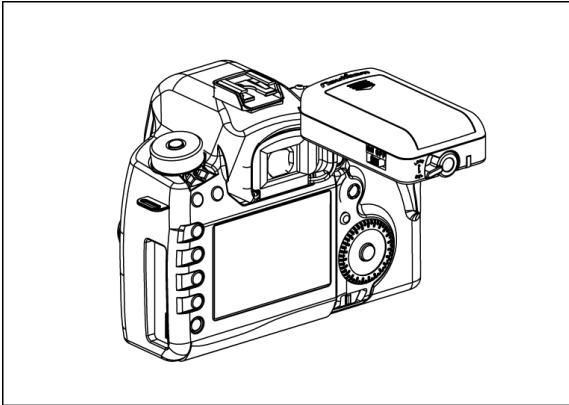
1. Make sure the On/Off switch is in the OFF position.
2. Remove the batteries compartment cover by sliding it outwards.

3. Install the batteries as shown. Please note that the "+" and "-" sign on the battery holders denotes the sides of the batteries facing down.

4. Close the battery cover and then switch the trigger unit on. The indicator will turn green.

<i>Indicator</i>	<i>Status of flash trigger</i>
Green light	Start up.
Flashing Green light (1 flash/sec)	Ready to use, normal operation.
Flashing Red light (1 flash/sec)	Low battery warning, replace batteries.

Connect to the camera:



1. Make sure the locking lever is in "REL" position.
2. Slide the flash trigger hotshoe connector into camera hotshoe until it cannot go in any further.
3. Flip the locking lever to the "LOCK" position to secure the trigger.
4. Test the flash trigger by pressing the shutter release button of the camera, the LEDs in the front should turn on instantaneously.
5. To detach, reverse the above steps.