

**19824/19825 GL17-A Aperture Gear
/F Focus Gear for Venus Optics Laowa
17mm f4 GFX Zero-D**

Instruction Manual

FOREWORD

Thank you for your purchase of a NAUTICAM product.

At NAUTICAM, we pride ourselves in the ability to recognize the requirements of professional as well as amateur underwater photographers and fulfill them through the innovative designs of our products. We strive to achieve a high level of user-friendliness by allowing stress-free installation and easy operation of all important functions of the camera.

Please read this manual carefully before using the product, this will maximize its performance as well as its lifetime.

WARRANTY

All NAUTICAM Products are warranted against any material and manufacturing defects for two years from the date of purchase for consumer use. This warranty only applies to products purchased from authorized NAUTICAM dealers and does not extend beyond the original retail purchaser.

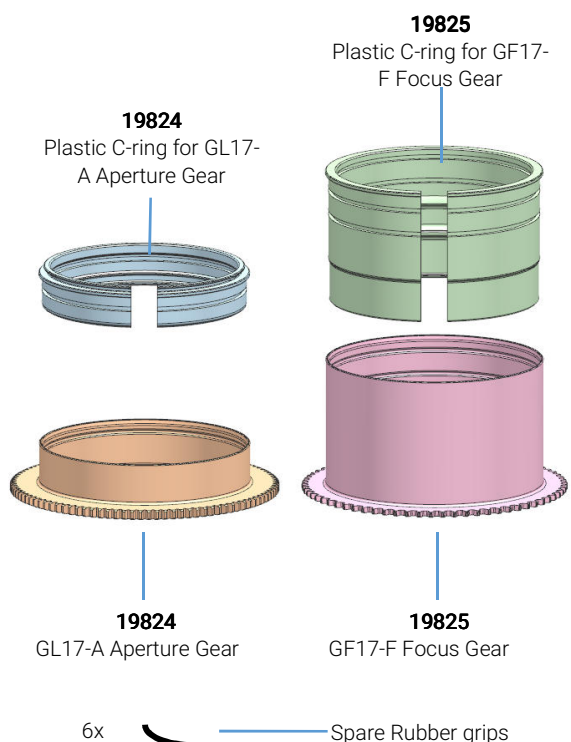
To return your product for service, please contact your regional authorized service center(s). Please note that this warranty only applies when the product is purchased in the territory where the service center is located.

NAUTICAM does not hold responsibility for damage, of any nature, to any equipment used with and/or placed within our products.

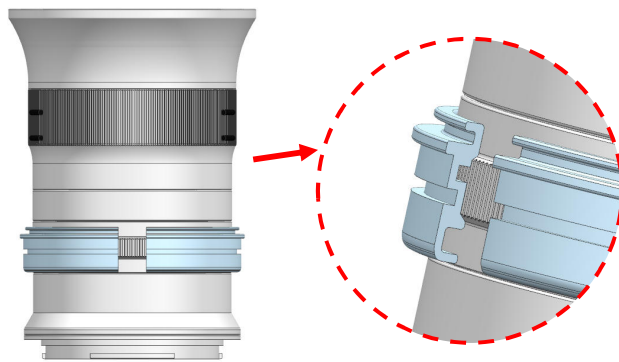
NAUTICAM accepts no liability for any loss of captured images or the inability to capture images even if it is due to the malfunctioning of our products.

Unauthorized modifications and/or repairs of our products will automatically invalidate the warranty.

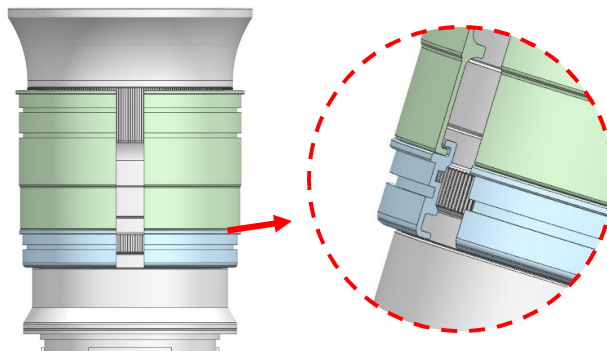
IDENTIFICATION OF PARTS



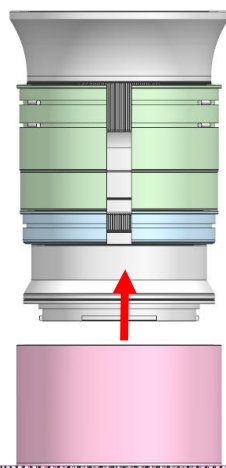
MOUNTING THE GEAR ON A LENS



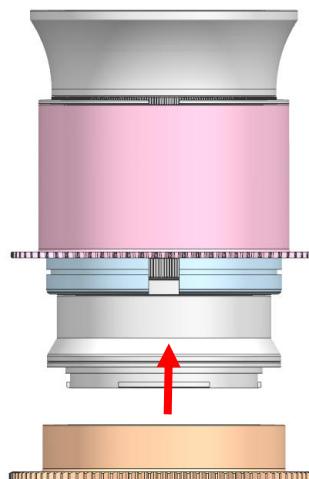
1. Insert the plastic C-ring for aperture gear as shown and place it over the lens



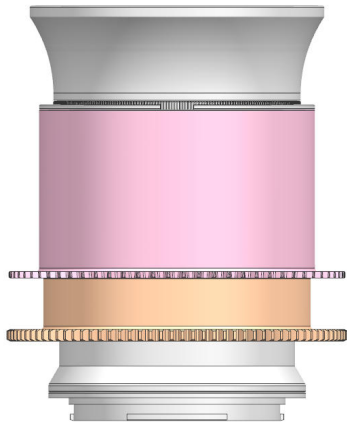
2. Insert the plastic C-ring for focus gear as shown and place it over the lens, then lock the aperture c-ring as shown.



3. Insert the GF17-F Focus Gear on the plastic C-ring for focus until it reaches the flange of the plastic C-ring.



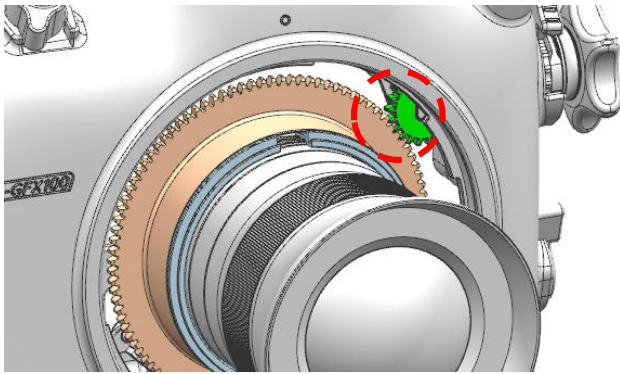
4. Insert the GL17-A Aperture Gear on the plastic C-ring for aperture until it reaches the flange of the plastic C-ring.



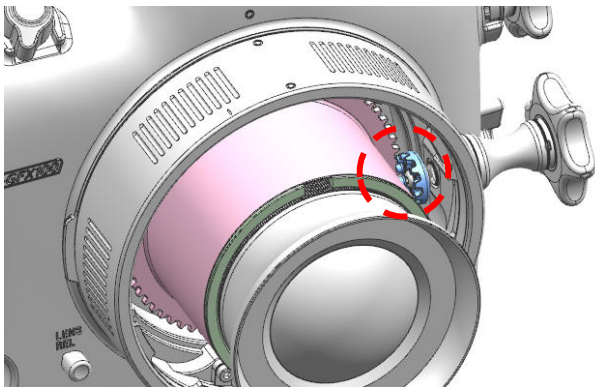
5. To remove the GL17-A Aperture Gear and F Focus Gear, reverse the above steps.

The tightness between the gears and the lens can be adjusted by removing or adding rubber grips on either sides of the plastic C-ring, spare rubber grips are included in the package.

CONTROLLING THE GEAR



1. The GL17-A Aperture Gear can be controlled by zoom/focus knob of the housing.



2. The GL17-F Focus Gear can be controlled through the focus knob of #21235 N120 Extension Ring 35 with Focus Knob.

After mount the camera and lens gear into the housing and port, confirm that the knobs of housing and adaptor operate correctly.

SPECIFICATIONS

19824 GL17-A APERTURE GEAR FOR VENUS OPTICS LAOWA 17MM F/4 GFX ZERO-D	
Dimensions(mm):	DIA102.0x19.0
Type:	Aperture gear
Compatible lens:	Venus Optics Laowa 17mm f4 GFX Zero-D
Compatible adaptor/extension ring:	21235 N120 Extension Ring 35 with Focus Knob

19825 GF17-F FOCUS GEAR FOR VENUS OPTICS LAOWA 17MM F/4 GFX ZERO-D	
Dimensions(mm):	DIA100.7x50.6
Type:	Focus gear
Compatible lens:	Venus Optics Laowa 17mm f4 GFX Zero-D

Remark: Nauticam supports only e-manuals. Please download corresponding product manuals on Nauticam.com website, or contact us for e-manuals.