

**19728/19729 PL1635-Z Zoom/F
Focus Gear for Panasonic Lumix S PRO
16-35mm f/4 Lens**

Instruction Manual

FOREWORD

Thank you for your purchase of a NAUTICAM product.

At NAUTICAM, we pride ourselves in the ability to recognize the requirements of professional as well as amateur underwater photographers and fulfill them through the innovative designs of our products. We strive to achieve a high level of user-friendliness by allowing stress-free installation and easy operation of all important functions of the camera.

Please read this manual carefully before using the product, this will maximize its performance as well as its lifetime.

WARRANTY

All NAUTICAM Products are warranted against any material and manufacturing defects for two years from the date of purchase for consumer use. This warranty only applies to products purchased from authorized NAUTICAM dealers and does not extend beyond the original retail purchaser.

To return your product for service, please contact your regional authorized service center(s). Please note that this warranty only applies when the product is purchased in the territory where the service center is located.

NAUTICAM does not hold responsibility for damage, of any nature, to any equipment used with and/or placed within our products.

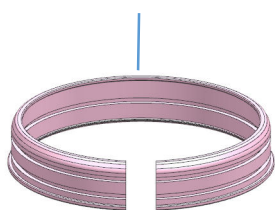
NAUTICAM accepts no liability for any loss of captured images or the inability to capture images even if it is due to the malfunctioning of our products.

Unauthorized modifications and/or repairs of our products will automatically invalidate the warranty.

IDENTIFICATION OF PARTS

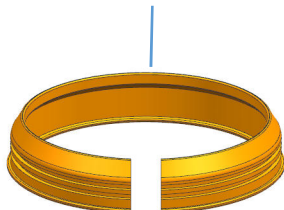
19728

Plastic C-ring for
PL1635-Z Zoom Gear



19729

Plastic C-ring for
PL1635-F Focus Gear



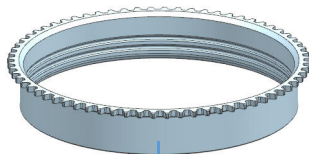
19728

PL1635-Z Zoom Gear



19729

PL1635-F Focus Gear

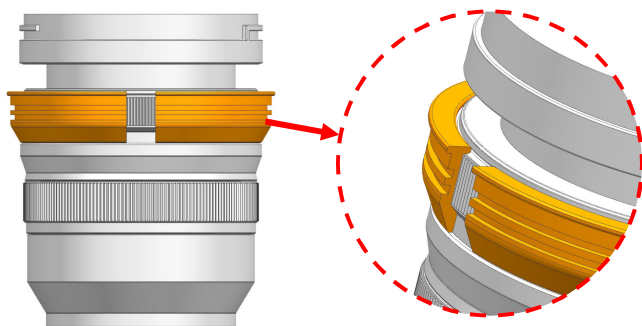


6x

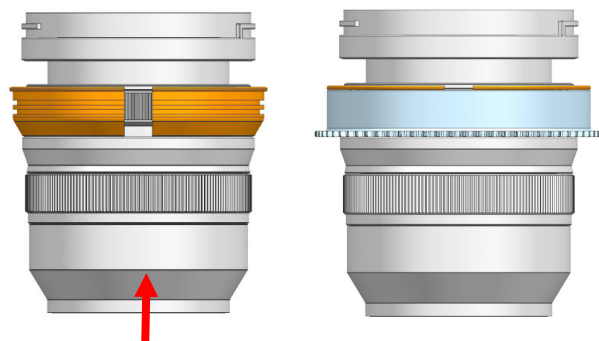


Spare Rubber grips

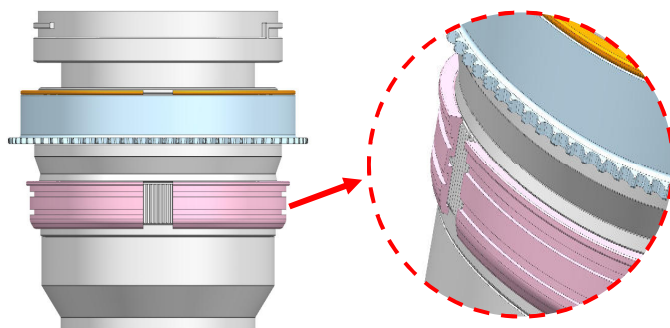
MOUNTING THE GEAR ON A LENS



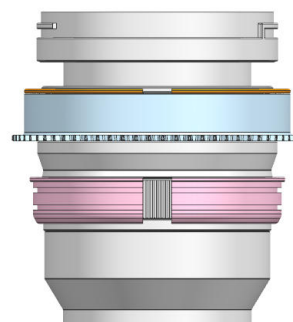
1. Insert the plastic C-ring for focus as shown and place it over the lens



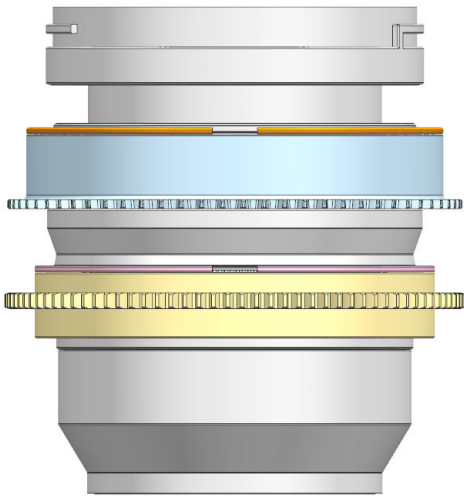
2. Insert the PL1635-F Focus Gear on the plastic C-ring for focus until it reaches the flange of the plastic C-ring.



3. Insert the plastic C-ring for zoom as shown and place it over the lens.



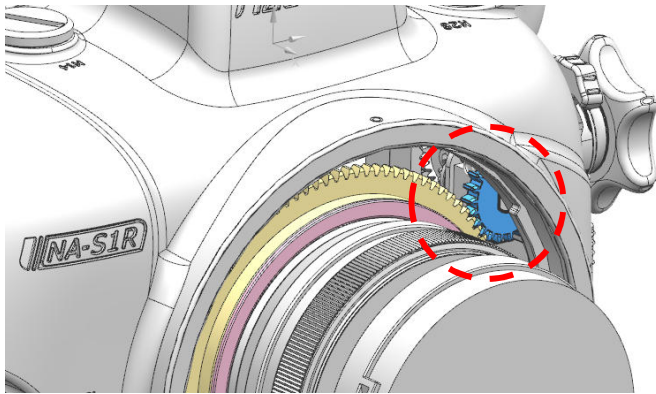
4. Insert the PL1635-Z Zoom Gear on the plastic C-ring for zoom until it reaches the flange of the plastic C-ring.



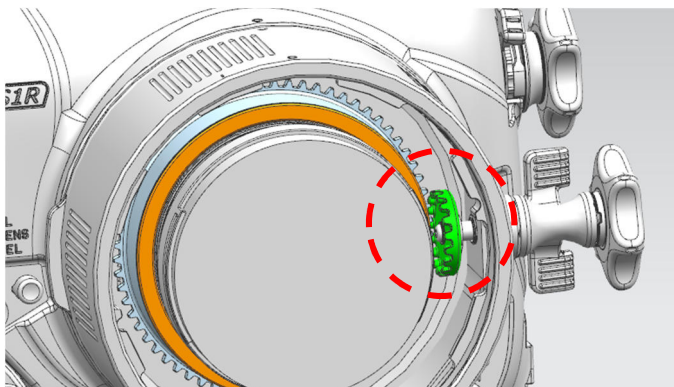
To remove the PL1635-Z Zoom Gear and F Focus Gear, reverse the above steps.

The tightness between the gears and the lens can be adjusted by removing or adding rubber grips on either sides of the plastic C-ring, spare rubber grips are included in the package.

CONTROLLING THE GEAR



1. The PL1635-Z_Zoom Gear can be controlled by zoom/focus knob of the housing.



2. The PL1635-F Focus Gear can be controlled through the focus knob of #21250 N120 Extension Ring 50 with Focus Knob.

After mount the camera and lens gear into the housing and port, confirm that the knobs of housing and adaptor operate correctly.

SPECIFICATIONS

19728 PL1635-Z ZOOM GEAR FOR PANASONIC LUMIX S PRO 16-35MM F/4 LENS	
Dimensions(mm):	DIA102.0x14.5
Type:	Zoom gear
Compatible lens:	Panasonic Lumix S PRO 16-35mm f/4 Lens

19729 PL1635-F FOCUS GEAR FOR PANASONIC LUMIX S PRO 16-35MM F/4 LENS	
Dimensions(mm):	DIA100.7x16.4
Type:	Focus gear
Compatible lens:	Panasonic Lumix S PRO 16-35mm f/4 Lens
Compatible adaptor/extension ring:	21250 N120 Extension Ring 50 with Focus Knob

Remark: Nauticam supports only e-manuals. Please download corresponding product manuals on Nauticam.com website, or contact us for e-manuals.