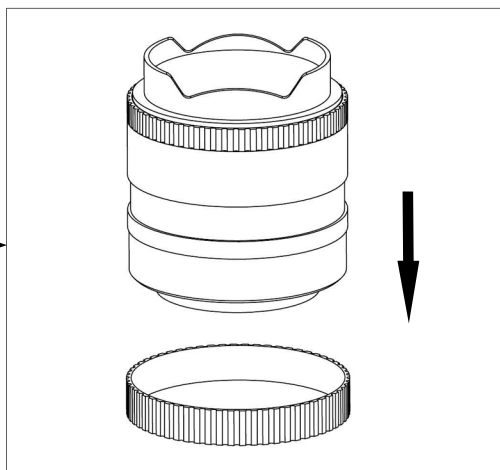
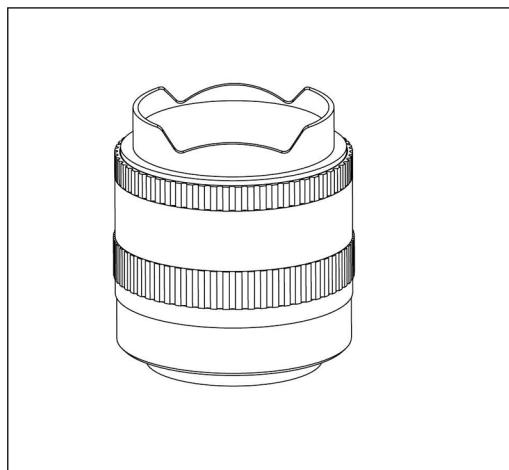


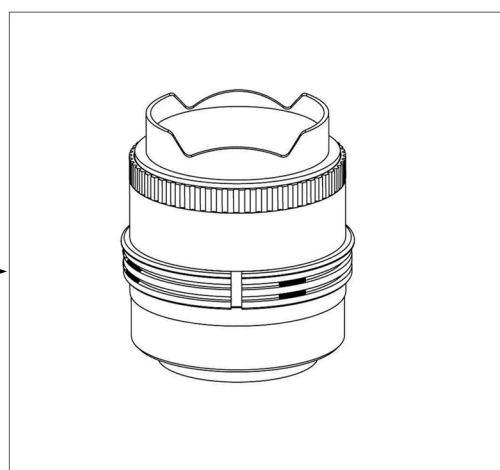
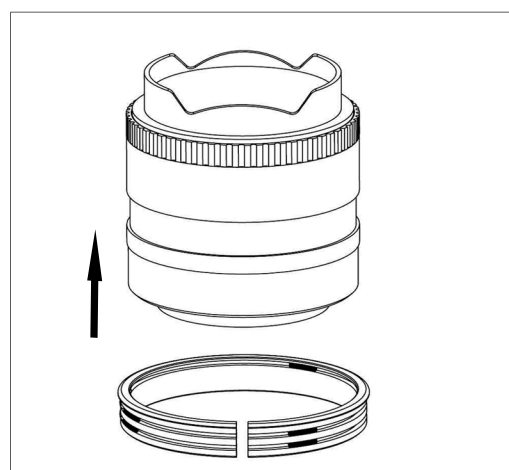
TC1017-Z (# 19529)

Zoom gear for Tokina AT-X 10-17mm F3.5 - 4.5 Fisheye DX (Canon)

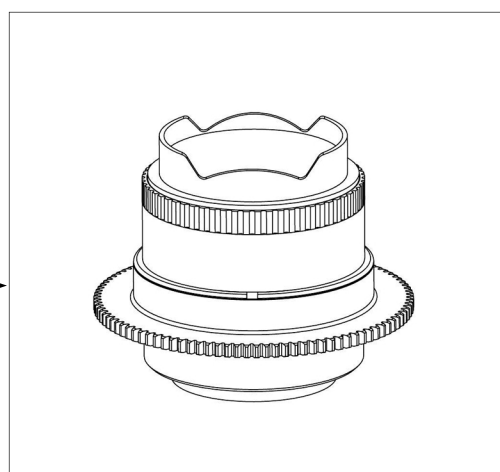
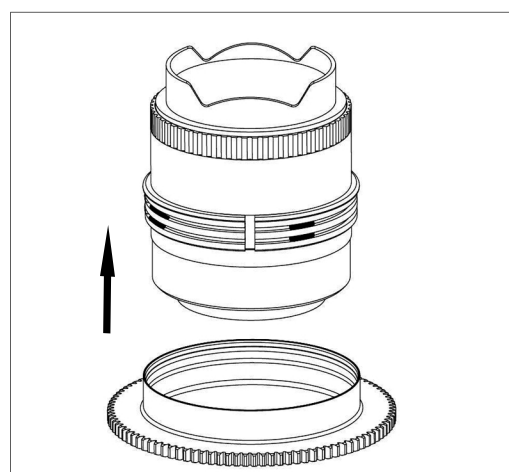
Please follow the instruction below to mount the TC1017 - Z on the lens



1. Remove the rubber ring from the lens carefully.



2. Insert the plastic c-ring of the TC1017-Z onto the rubber ring recess of the lens.



3. Insert the gear ring of the TC1017-Z on the plastic c-ring, as shown in the diagram, until it reaches the flange of the plastic c-ring.

4. The tightness between the TC1017-Z gear and the lens can be adjusted by removing or adding rubber grips on either sides of the plastic c-ring, spare rubber grips are included in the package.