

INSTRUCTION MANUAL

For C100IS-F for Canon EF 100mm f2.8L Macro IS USM

PN# 19523

This manual applies to product shipped
from September, 2022, serial number from
A512953 onwards;

FORWARD

Thank you for your purchase of a NAUTICAM product.

At NAUTICAM, we pride ourselves in the ability to recognize the requirements of professional as well as amateur underwater photographers and fulfill them through the innovative designs of our products. We strive to achieve a high level of user-friendliness by allowing stress-free installation and easy operation of all important functions of the camera.

Each product is individually inspected and water pressure tested to ensure optimum quality.

Please read this manual carefully before using the product, this will maximize its performance as well as its lifetime.

WARRANTY

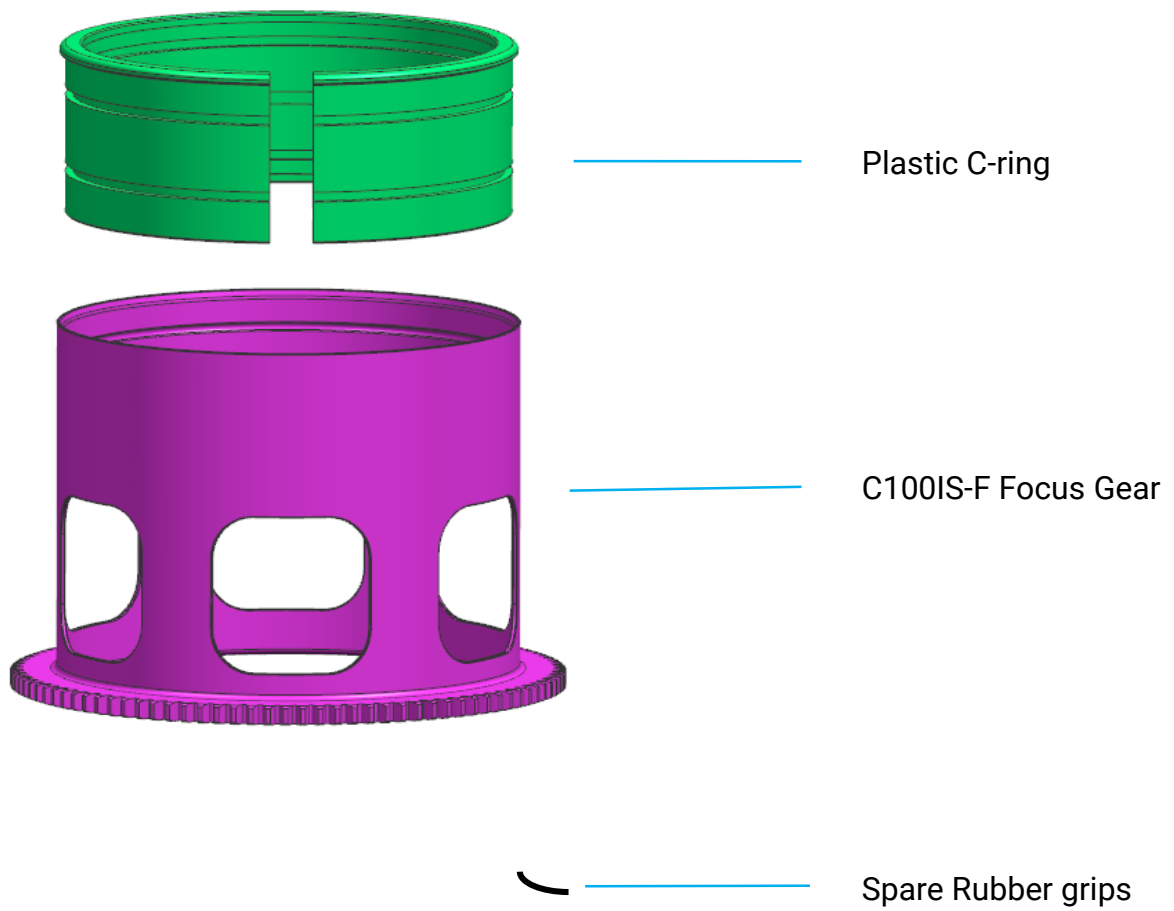
All NAUTICAM Products are warranted against any material and manufacturing defects for two years from the date of purchase for consumer use. This warranty only applies to products purchased from authorized NAUTICAM dealers and does not extend beyond the original retail purchaser.

To return your product for service, please contact your regional authorized service center(s). Please note that this warranty only applies when the product is purchased in the territory where the service center is located.

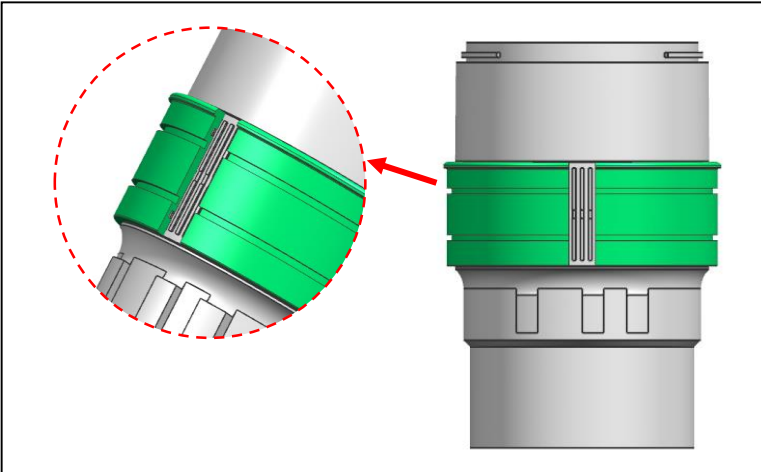
NAUTICAM does not hold responsibility for damage, of any nature, to any equipment used with and/or placed within our products. NAUTICAM accepts no liability for any loss of captured images or the inability to capture images even if it is due to the malfunctioning of our products.

Unauthorized modifications and/or repairs of our products will automatically invalidate the warranty.

IDENTIFICATION OF PARTS

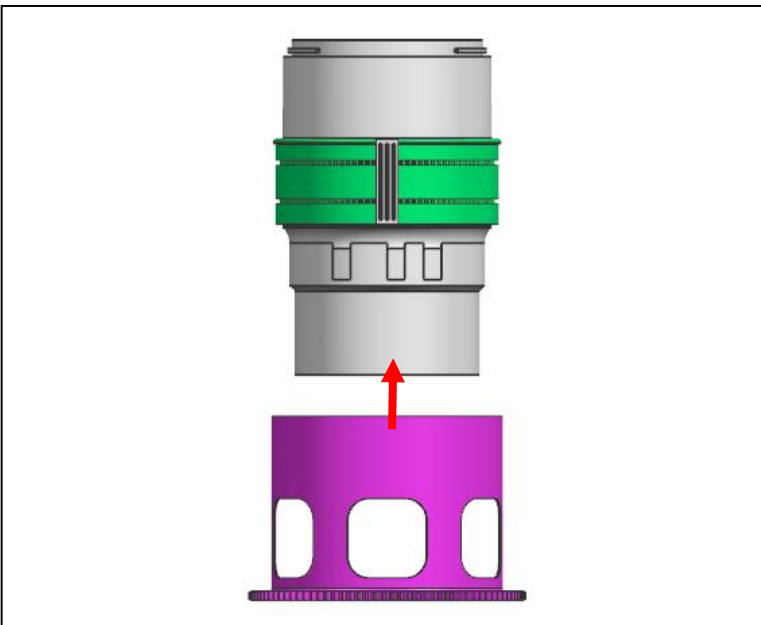


MOUNT THE GEAR ON A LENS

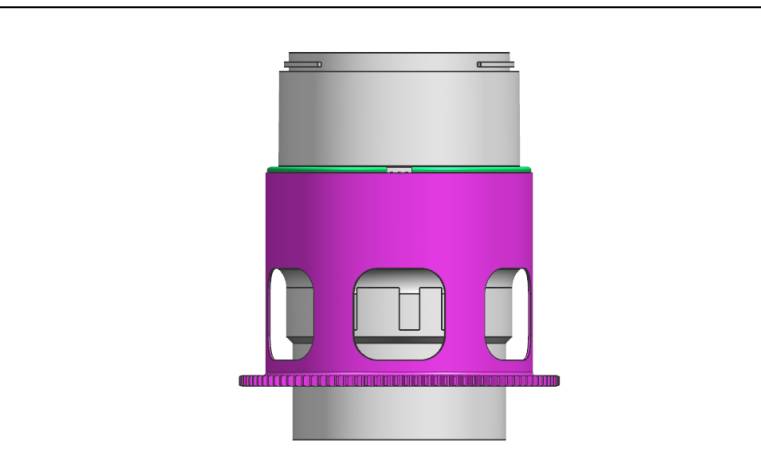


1. Insert the plastic C-ring as shown and place it over the lens.

For Old version of 19523 (A512953 before), the rubber ring on the lens should be removed before insert the plastic C-ring.



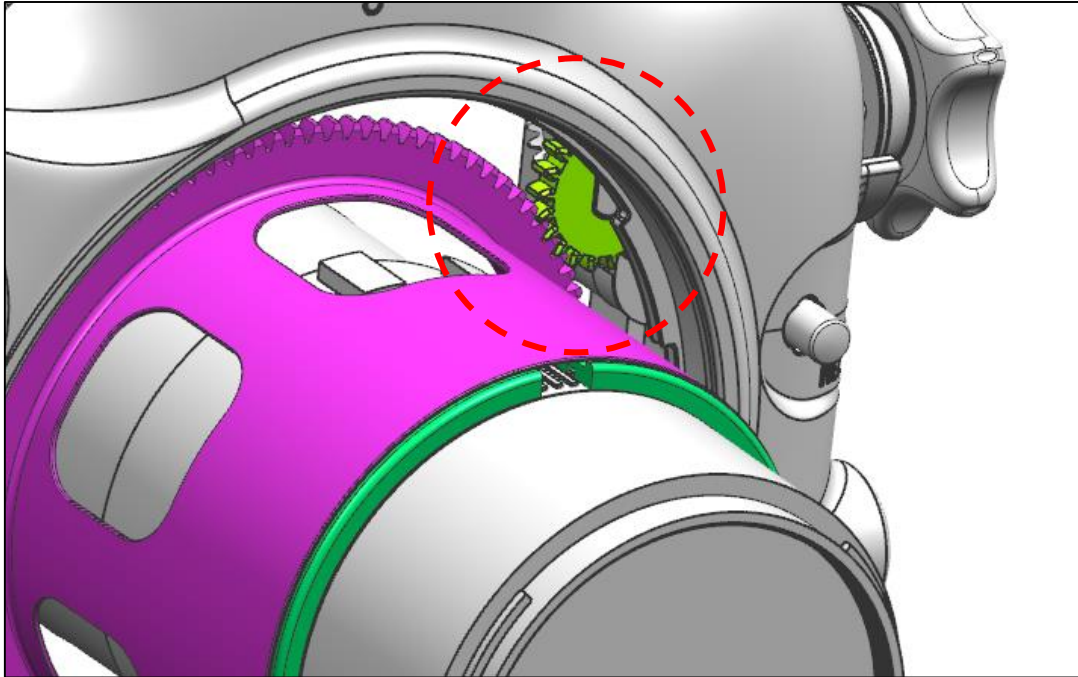
- 2 Insert the C100IS-F Focus Gear on the plastic C-ring until it reaches the flange of the plastic C-ring.



3. To remove the C100IS-F Focus Gear, reverse the above steps.

The tightness between the C100IS-F Focus Gear and the lens can be adjusted by removing or adding rubber grips on either sides of the plastic C-ring, spare rubber grips are included in the package.

CONTROL THE GEAR



1. The C100IS-F Focus Gear can be controlled by zoom/focus knob of the housing.

After mount the camera and lens (with gear installed) on the housing, confirm that the zoom/focus knob operates correctly.

SPECIFICATIONS

#19523 C100IS-F for Canon EF 100mm f2.8L Macro IS USM

Dimensions:	DIA102.0mm × 67.9mm
-------------	---------------------

Type:	Focus gear
-------	------------

Compatible lens:	Canon EF 100mm f2.8L Macro IS USM
------------------	--------------------------------------

Remark:

Nauticam supports only e-manuals. Please download corresponding product manuals on google drive <https://bit.ly/Nauticammanual>, or contact us for e-manuals.