

18708 N120 Macro Port 80

Instruction Manual

(This manual applies to product shipped from early 2022, serial number from A521744 onwards)

FOREWORD

Thank you for your purchase of a NAUTICAM product.

At NAUTICAM, we pride ourselves in the ability to recognize the requirements of professional as well as amateur underwater photographers and fulfill them through the innovative designs of our products. We strive to achieve a high level of user-friendliness by allowing stress-free installation and easy operation of all important functions of the camera.

Each product is individually inspected and water pressure tested to ensure optimum quality.

Please read this manual carefully before using the product, this will maximize its performance as well as its lifetime.

WARRANTY

All NAUTICAM Products are warranted against any material and manufacturing defects for two years from the date of purchase for consumer use. This warranty only applies to products purchased from authorized NAUTICAM dealers and does not extend beyond the original retail purchaser.

To return your product for service, please contact your regional authorized service centre(s). Please note that this warranty only applies when the product is purchased in the territory where the service centre is located.

NAUTICAM does not hold responsibility for damage, of any nature, to any equipment used with and/or placed within our products.

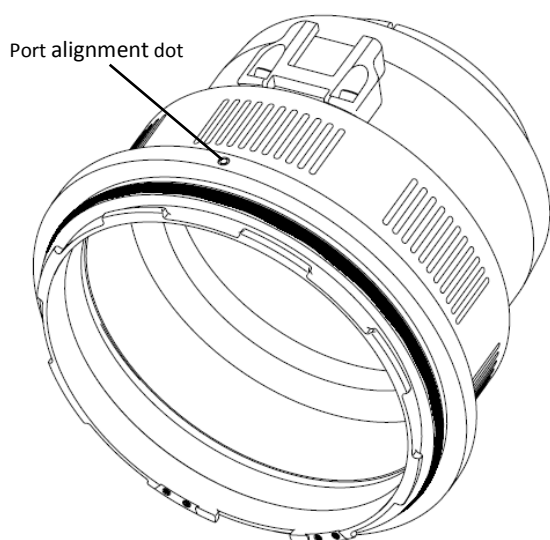
NAUTICAM accepts no liability for any loss of captured images or the inability to capture images even if it is due to the malfunctioning of our products.

Unauthorized modifications and/or repairs of our products will automatically invalidate the warranty.

PACKAGE CONTENTS

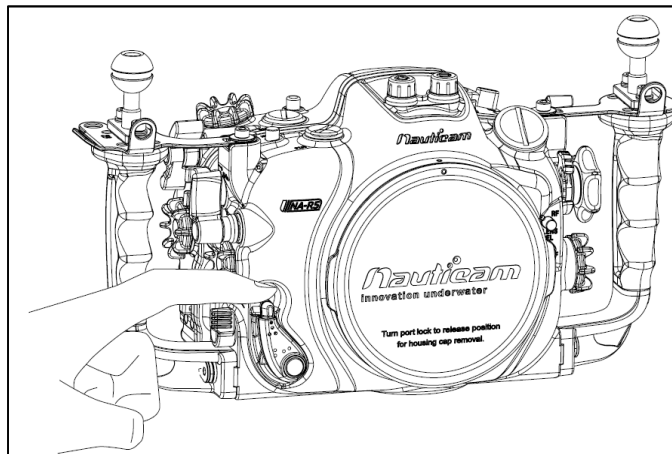
- N120 Macro Port
- Plastic Port Cap
- Rear Port Cap
- Spare O-ring and Lubricant
- Manual Notice Card

IDENTIFICATION OF PARTS

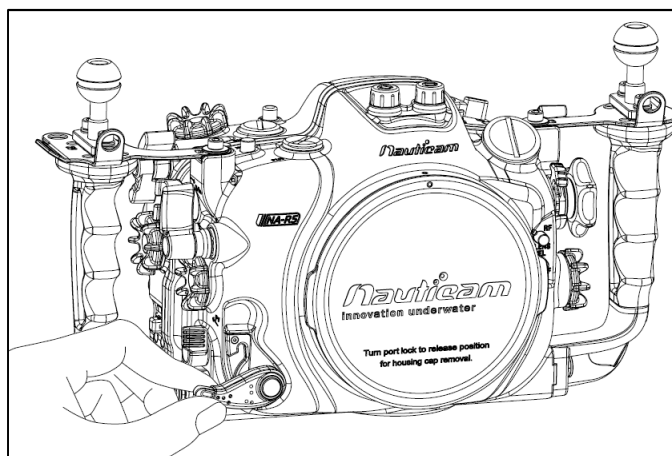


MOUNTING THE PORT

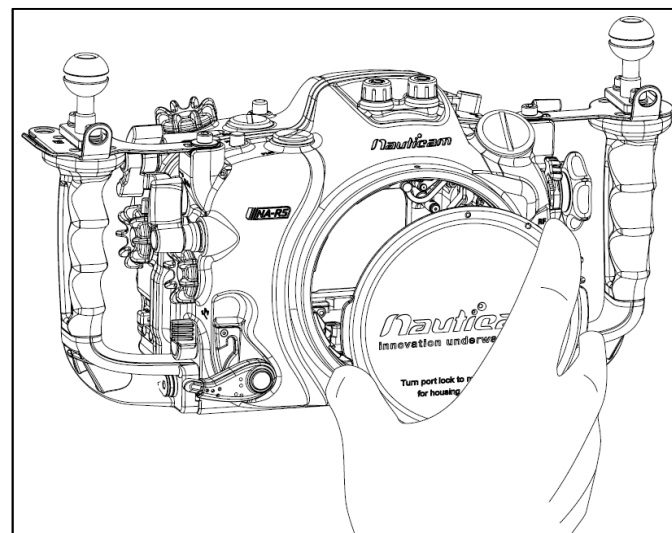
To remove housing cap:



Push the safety button of the port locking lever downwards.



Turn the port locking lever to the release position as shown.

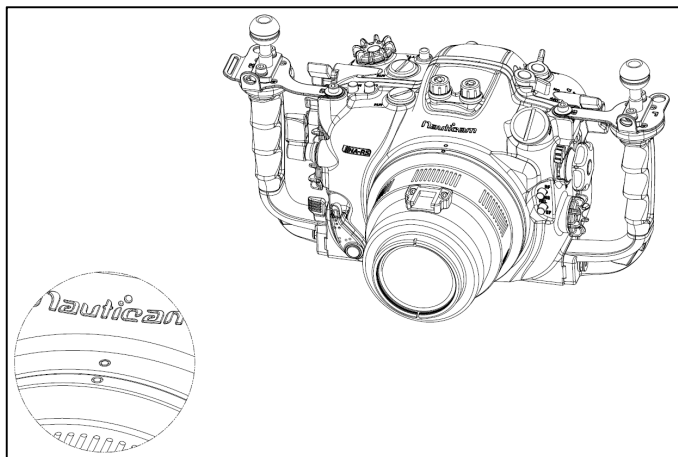


Lift the housing cap.

To mount port:

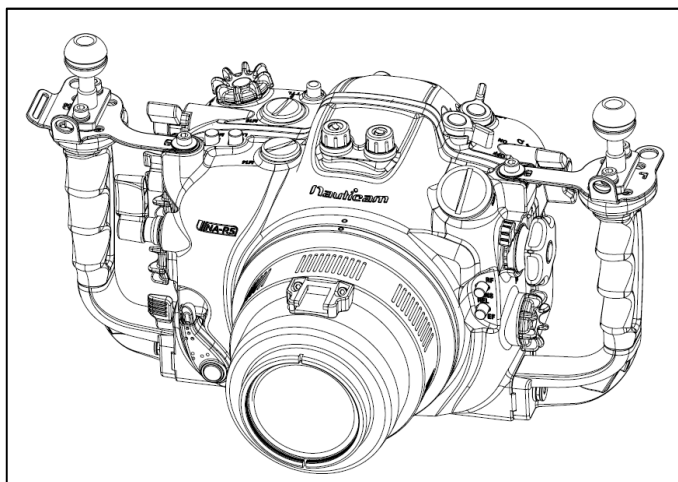
Remove the O-ring from the port, inspect for any damage and lightly coat it with the provided lubricant before placing it back into its groove.

Verify that the port opening of the housing is clean and free from foreign material.



Align the mounting dot of the port and the housing; these appear as white circles on both the port and the housing.

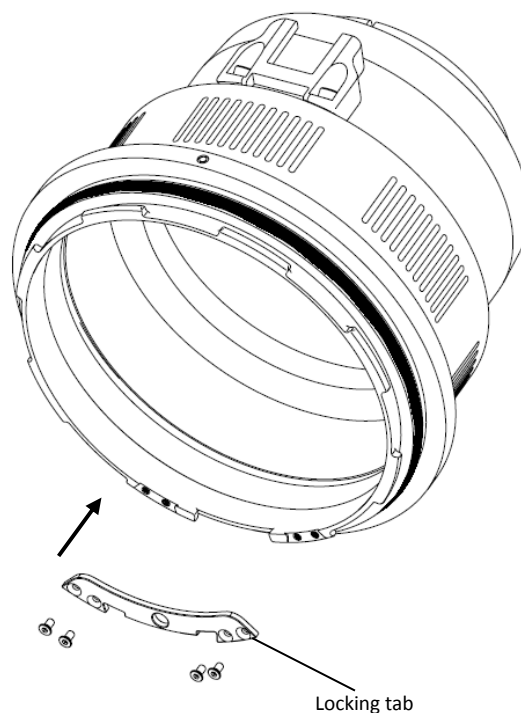
Gently push the port into the opening of the housing, until it cannot go in any further.



Lock the port into place by turning the port locking lever to the inward position. To ensure that the port is securely mounted, confirm that the green line on the safety button of the port locking lever is visible.

To remove the port from the housing, simply turn the port locking lever to the outward position and gently pull it out.

REMARKS TO PORT SYSTEM COMPATIBILITY



This port is backwards compatible with N120 port mount housing and all N120 extension rings (Excludes 21110, use 22110 instead).

To be compatible with locking pin style extension rings (produced before 2016), it requires a locking tab which is free of charge.

**Please contact our dealer or innovation@nauticam.com for the part. The macro port is shipped without the locking tab to reduce unnecessary waste.*

CARE AND MAINTENANCE

- The port should be rinsed thoroughly in fresh water (when mounted on a housing) after each dive.
- Dry and clean the dome surface with micro fiber cloth.
- Cover the dome with the provided cover when not in use.
- Do not use any kind of abrasive solutions to clean the dome surface.

SPECIFICATIONS

Dimension:	∅ 132*102.9mm
Weight(in air):	500 g
Buoyance in water:	330 g
Construction:	Aluminum Alloy body
Port Opening:	N120

Remark: Nauticam supports only e-manuals. Please download corresponding product manuals on Nauticam.com website, or contact us for e-manuals.