

Instruction Manual for Nauticam Monitor Housing Mounting Adaptor

PN#17952/17953/17957

FOREWORD

Thank you for your purchase of a NAUTICAM product.

At NAUTICAM, we pride ourselves in the ability to recognise the requirements of professional as well as amateur underwater photographers and fulfill them through the innovative designs of our products. We strive to achieve a high level of user-friendliness by allowing stress-free installation and easy operation of all important functions of the camera.

Each product is individually inspected and water pressure tested to ensure optimum quality.

Please read this manual carefully before using the product, this will maximise its performance as well as its lifetime.

WARRANTY

All NAUTICAM Products are warranted against any material and manufacturing defects for two years from the date of purchase for consumer use. This warranty only applies to products purchased from authorised NAUTICAM dealers and does not extend beyond the original retail purchaser.

To return your product for service, please contact your regional authorized service centre(s). Please note that this warranty only applies when the product is purchased in the territory where the service centre is located.

NAUTICAM does not hold responsibility for damage, of any nature, to any equipment used with and/or placed within our products.

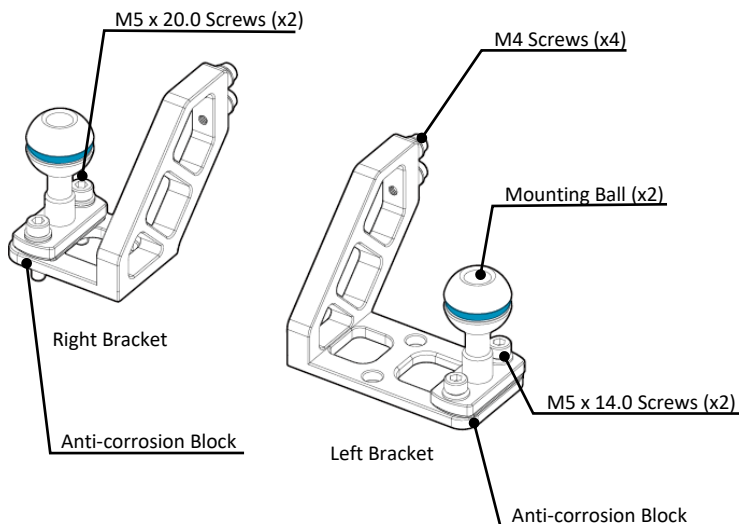
NAUTICAM accepts no liability for any loss of captured images or the inability to capture images even if it is due to the malfunctioning of our products.

Unauthorised modifications and/or repairs of our products will automatically invalidate the warranty.

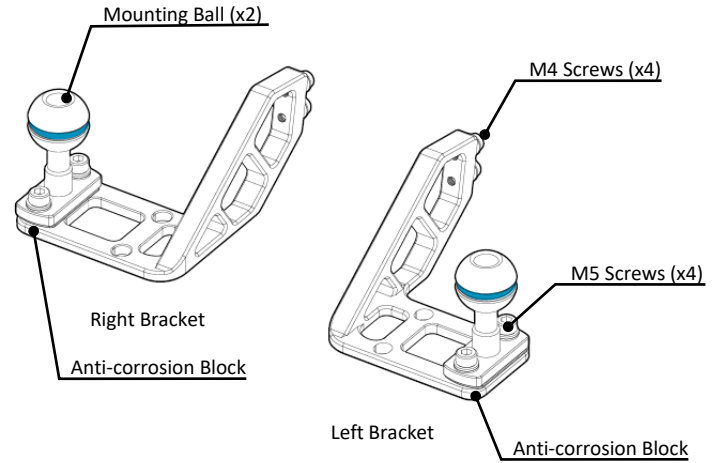
PACKAGE CONTENTS

- Right & Left Bracket
- Mounting Ball x 2

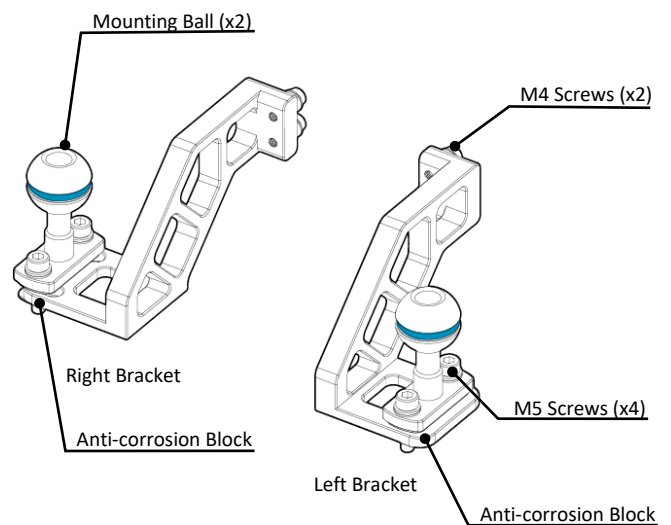
IDENTIFICATION OF PARTS



PN#17952 Nauticam Monitor Housing Mounting Adaptor for NA-A7S/A7II/A9/A7RIII/A7RIV/α2020/A7SIII/α1/XT3/XT4/Z50/OM1

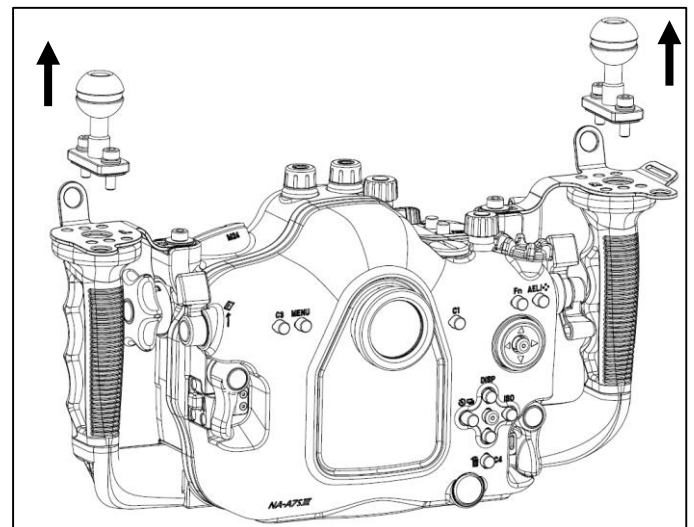


PN#17953 Nauticam Monitor Housing Mounting Adaptor to use with NA-GH4/GH5SV/GH6



PN#17957 Nauticam Monitor Housing Mounting Adaptor for NA-S1R/S1H/BMPCCII/6K/Z7/Z7V/Z7II/1DXII/5DIV/6DI/1DXIII/R3/R5/R6/D6/780/GFX100S/C70

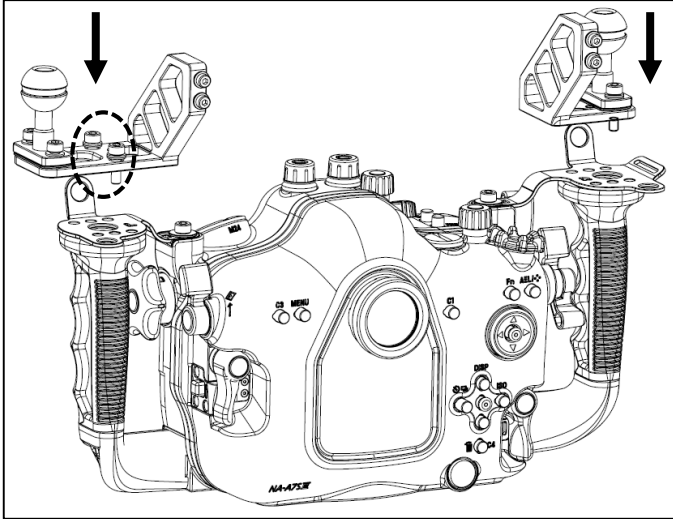
REMOVE THE MOUNTING BALL



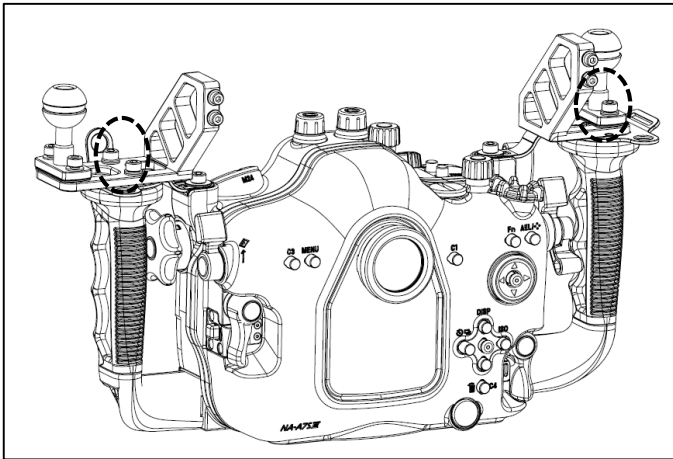
Unscrew the four S.S. screws, and remove the mounting balls from housing handles as shown.

**PN#17952 and Nauticam NA-A7SIII housing are used as an example in this instruction manual, other monitor housing mounting adaptor will be slightly different in term of appearance.*

MOUNT THE ADAPTOR TO A HOUSING



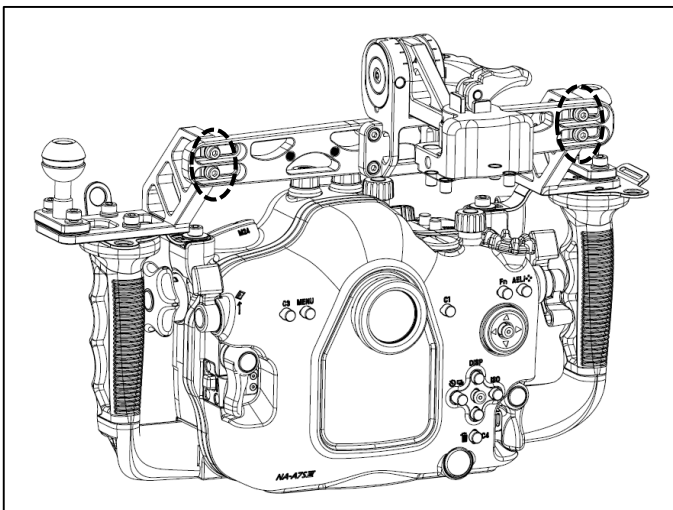
Take the two existing S.S. screws from mounting ball for the left bracket, and install the left & right bracket to the designated area.



Tighten them with the four S.S. screws.

To remove the Monitor Housing Mounting Adaptor, reverse the above steps.

INSTALL THE ADAPTORS TO #17951 MOUNTING SYSTEM



Install the adaptor to #17951 Mounting System by tightening the four S.S. screws as shown.

SPECIFICATIONS

#17952 Nauticam Monitor Housing Mounting Adaptor

Diameter:	79.0 x 62.0 x 52.0 mm / 79.0 x 62.0 x 80.0 mm
Weight:	0.21kg
Material:	Aluminium Alloy
Compatible Housings:	NA-A7S/A7II/A9/A7RIII/A7RIV/a2020/A7SIII/a1/XT3/XT4/Z50/OM1/R7

#17953 Nauticam Monitor Housing Mounting Adaptor

Diameter:	105.0 x 76.0 x 55.0 mm (2pcs)
Weight:	0.22kg
Material:	Aluminium Alloy
Compatible Housings:	NA-GH4/GH5SV/GH6

#17957 Nauticam Monitor Housing Mounting Adaptor

Diameter:	105.0 x 63.0 x 62.0 mm (2pcs)
Weight:	0.25kg
Material:	Aluminium Alloy
Compatible Housings:	NA-S1R/S1H/BMPCCII/BMPCC6K/Z7/Z7V/Z7II/1DXII/5DIV/6DII/1DXIII/R3/R5/R6/D6/D780/GFX100S/C70
Incompatible Housing:	17957 Housing Mounting Adaptor before SN:A439736 12/2021 is NOT COMPATIBLE with NA-R3/R5/R6/6DII

Remark: Nauticam supports only e-manuals. Please download corresponding product manuals on google drive <https://bit.ly/Nauticammanual>, or contact us for e-manuals.