

# NA - GFX100S

For Fujifilm GFX 100S Mirrorless Camera

PN 17158

**User Manual**  
Housing  
MEDIUM FORMAT-MIL

Introduction	2
Package Contents	2
Important Instructions	3
Part Names and Functions	4
Housing Mount	7
Opening the housing	8
Closing the housing	9
Preparation for Use	10
Optional Accessories	15
Care/Storage	17
Warranty	18
Specifications	19

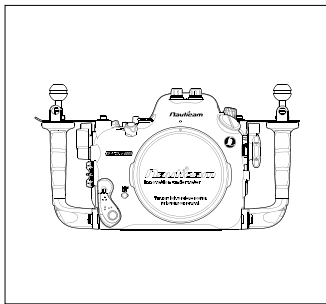
# INTRODUCTION

Thank you for purchasing this Nauticam product.

Before using the product, please read this manual thoroughly to familiarize yourself with full scope of functions on the product as well as ensuring that you will use the product correctly.

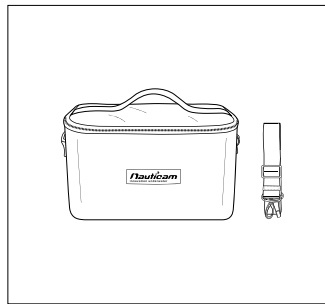
# PACKAGE CONTENTS

Make sure that you have all the included items listed below before using this product. If some items are missing or damaged, contact your local Nauticam dealer.

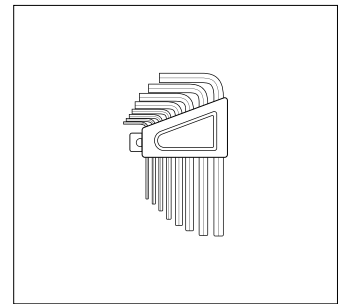


NA-GFX100S

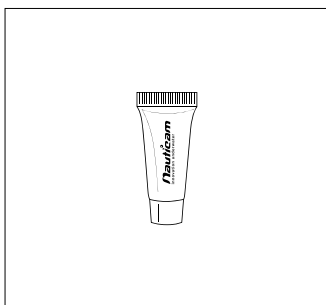
(2 x Handles with Mounting Balls, 1 x Housing Cap, 2 x Optical Fiber Mount Caps, 2 x Stainless Steel Handle Brackets)



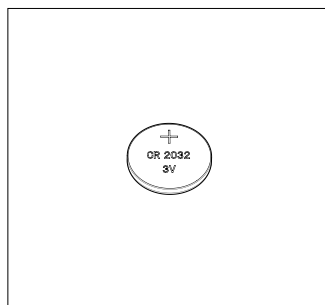
Padded Travel Case



Allen key set

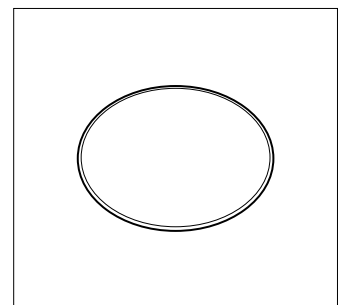


Lubricant



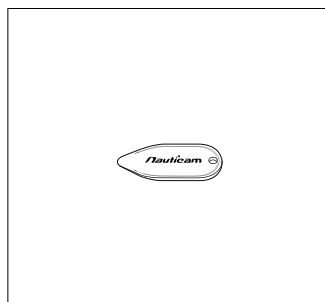
Panasonic CR2032 Battery

(pre-installed for Moisture Alarm)

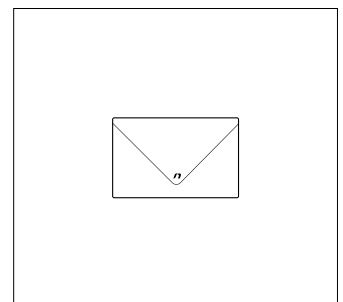


Spare Main O-ring

After purchase, we suggest that you reuse all packaging materials for future travelling.



O-ring Remover



Manual Instruction Card

# IMPORTANT INSTRUCTIONS

1

Water-tight test of the housing (without camera inside) before usage is recommended as well as any O-ring renewal and port change.

2

Do not seal the housing when travelling by air as this may lead to a pressure difference between the atmosphere and inside the housing.

3

Only the accessories specified by Nauticam must be used. Third-party accessories may result in malfunctions or damage to the product.

4

Use only Nauticam lubricant on silicone rubber O-ring.

5

Do not stretch any O-rings excessively. Only remove it using Nauticam O-ring remover.



6

Discontinue use immediately when there is a sign of leakage.

7

Do not attempt to remove parts of the housing yourself. Repairs must be done at authorized service centers only.

8

The housing should be positioned on the a stable and safe surface on land.

9

Do not expose the housing in direct sunlight for a prolonged period.

10

Do not open the housing in wet or sandy environment. Protect the housing from moisture and debris in order to prevent malfunction or leakage.

11

Prevent any sand or dust or water penetration inside the housing. Be extra careful when changing lens and inserting or removing the camera.

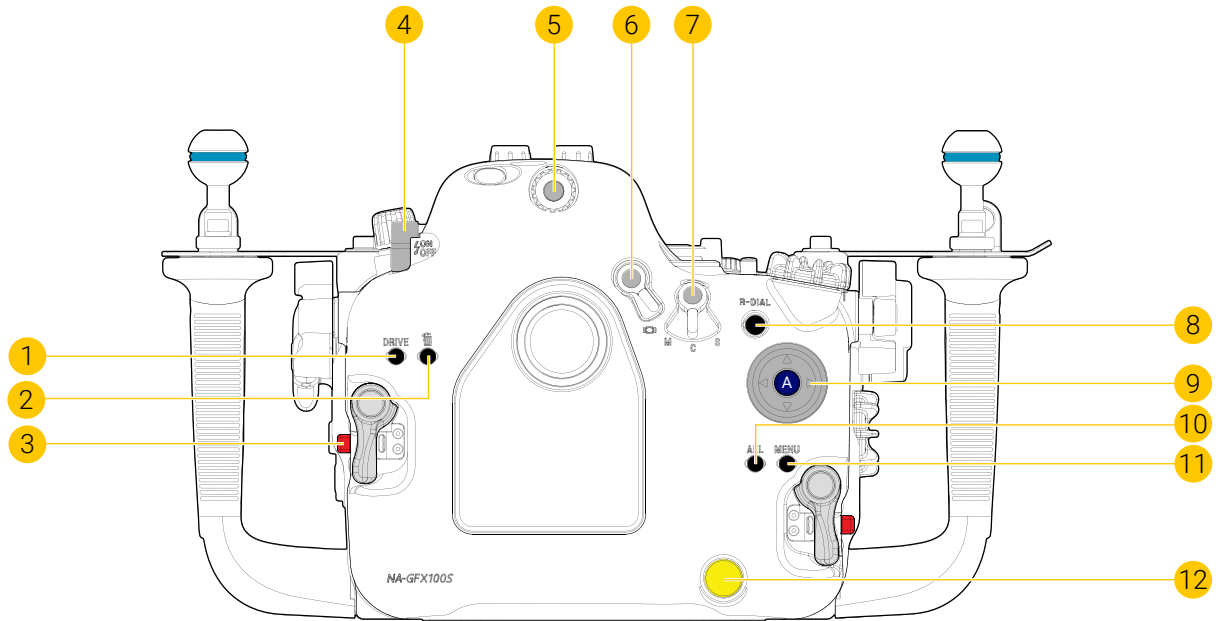


12

This product is not intended for use by children, or persons with reduced physical, sensory or mental capabilities, or lack of experience and knowledge, unless they are supervised and/or given instruction by a responsible person concerning use of the product to ensure that they can use it safely.

# PART NAMES AND FUNCTIONS

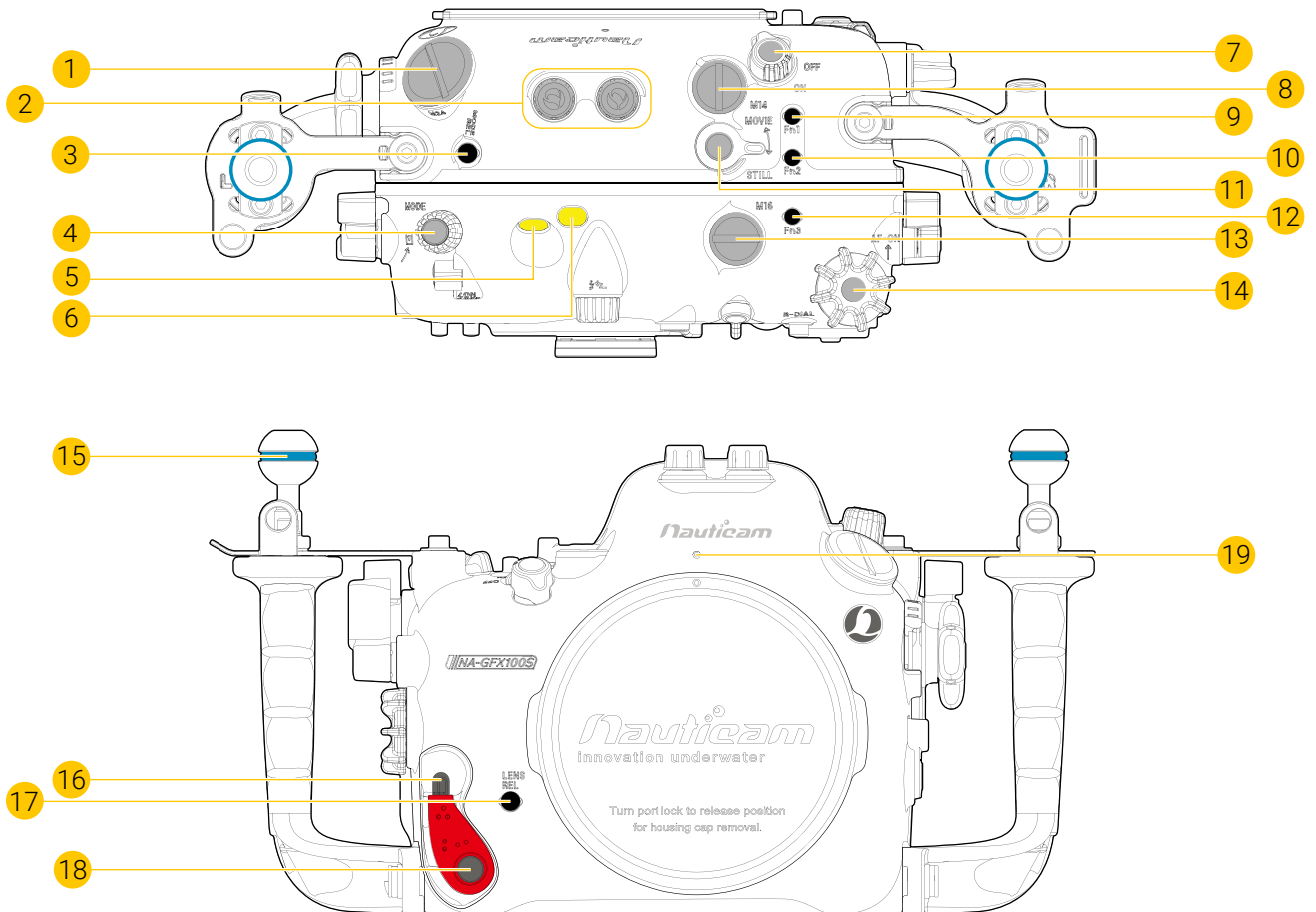
Rear View



- |                                    |                                  |
|------------------------------------|----------------------------------|
| ① Drive button                     | ② Delete button                  |
| ③ Housing unlock button            | ④ Flash ON/Off lever             |
| ⑤ Flash exposure compensation dial | ⑥ View mode lever                |
| ⑦ Focus mode selector lever        | ⑧ Rear command dial press button |
| ⑨ Multi-selector                   | ⑩ Exposure lock button           |
| ⑪ Menu/OK button                   | ⑫ Moisture alarm window          |
| Ⓐ Multi selector - center          |                                  |

# PART NAMES AND FUNCTIONS

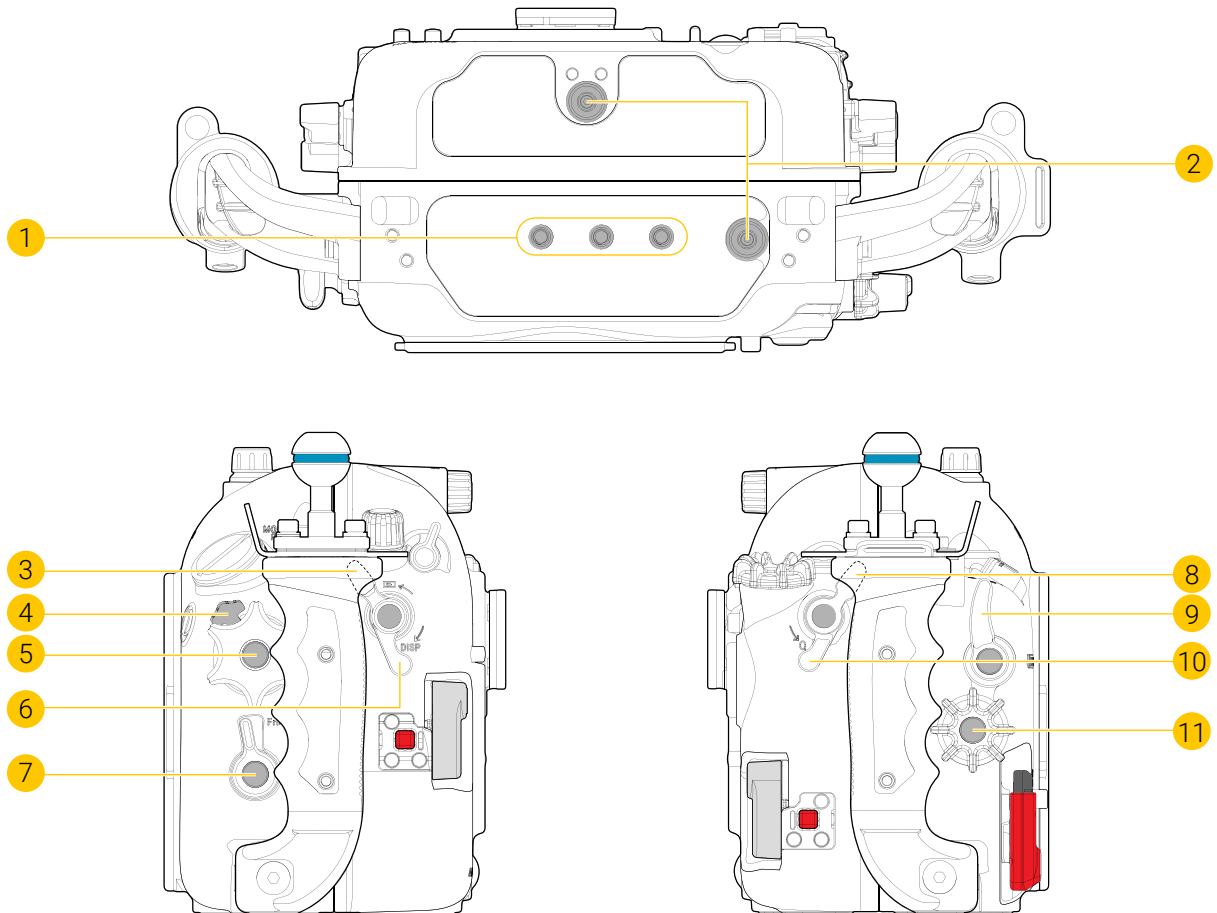
Top + Front Views



- |    |                         |    |                                |    |                          |
|----|-------------------------|----|--------------------------------|----|--------------------------|
| 1  | M24 Accessory port      | 2  | Optical fiber cable connection | 3  | Dial lock release button |
| 4  | Mode dial               | 5  | Flash test button window       | 6  | Flash setting window     |
| 7  | Main switch             | 8  | M14 Accessory port             | 9  | Fn1 button               |
| 10 | Fn2 button              | 11 | Still/Movie mode lever         | 12 | Fn3 button               |
| 13 | M16 Accessory port      | 14 | Rear command dial              | 15 | Accessory mounting ball  |
| 16 | Port lock safety button | 17 | Lens release button            | 18 | Port locking lever       |
| 19 | Port index mark         |    |                                |    |                          |

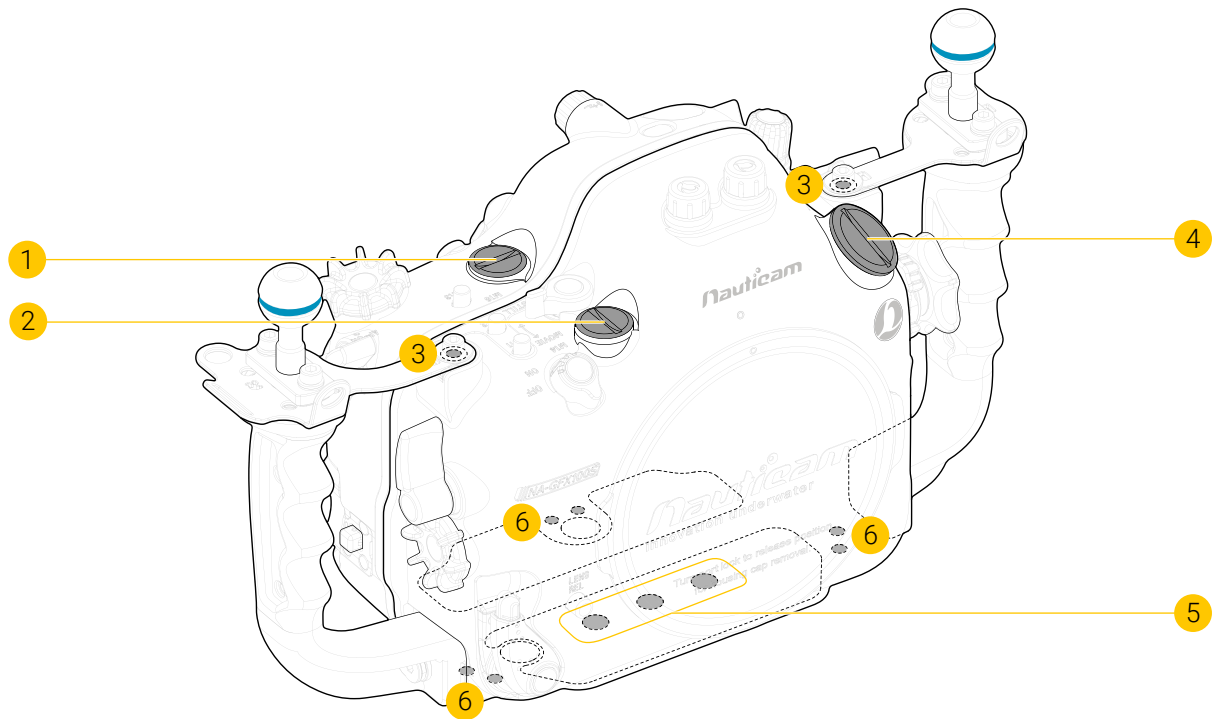
# PART NAMES AND FUNCTIONS

Back + Side Views



- |    |                            |    |                         |
|----|----------------------------|----|-------------------------|
| 1  | 1/4" Threaded tripod holes | 2  | Sacrificial zinc anodes |
| 3  | Playback lever             | 4  | Zoom/Focus knob release |
| 5  | Zoom/Focus knob            | 6  | Display/back lever      |
| 7  | Fn 4 lever                 | 8  | AF-ON lever             |
| 9  | Shutter release lever      | 10 | Quick menu lever        |
| 11 | Front command dial         |    |                         |

# HOUSING MOUNT



## Housing mount

- 1 M16 Accessory port
- 2 M14 Accessory port
- 3 M5 Accessory port
- 4 M24 Accessory port
- 5 1/4" -20 mounting threads
- 6 M5 Threaded holes

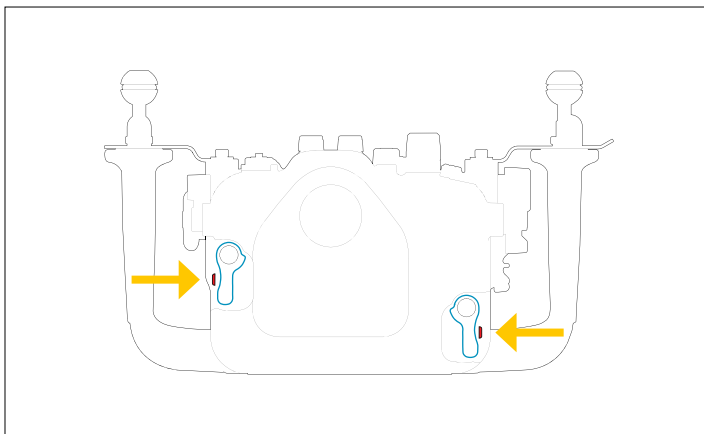
## Compatible accessories

- 25625 M16 Vacuum valve II (pushbutton release)
- 25056 M14 Nikonos 5-pin bulkhead
- 25228 M5 Strobe mounting ball
- 25077 M24D1R205-M28A1R170 HDMI 2.0 Cable
- 17954 Universal tripod plate
- 25218 Mounting ball set for tripod legs

# OPENING THE HOUSING

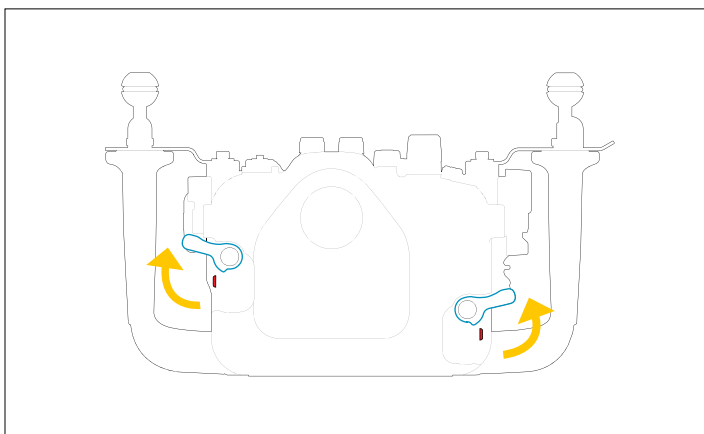
\* drawings as illustrations only

1



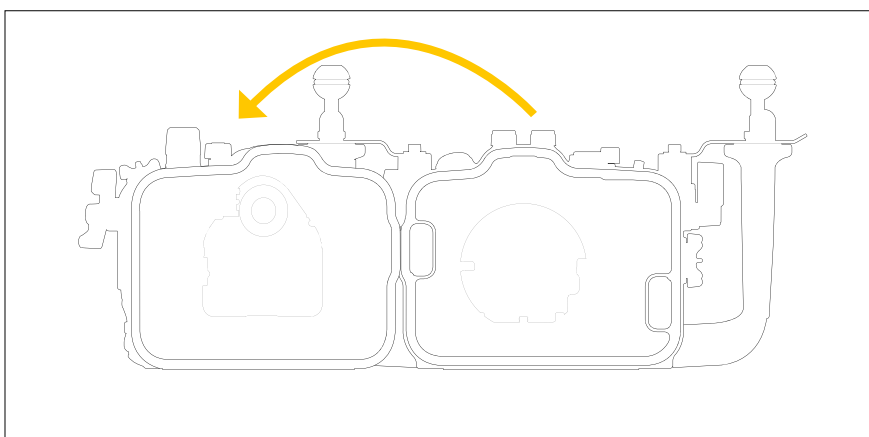
depress housing unlock button

2



turn housing lock outward

3

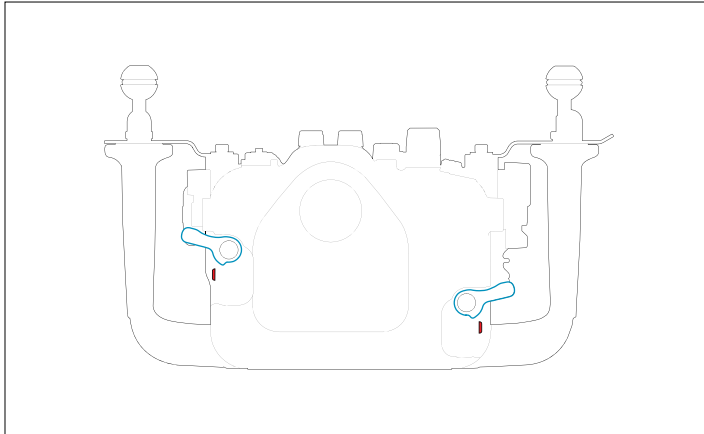


lift up the back housing

# CLOSING THE HOUSING

\* drawings as illustrations only Housing Lock - Lock

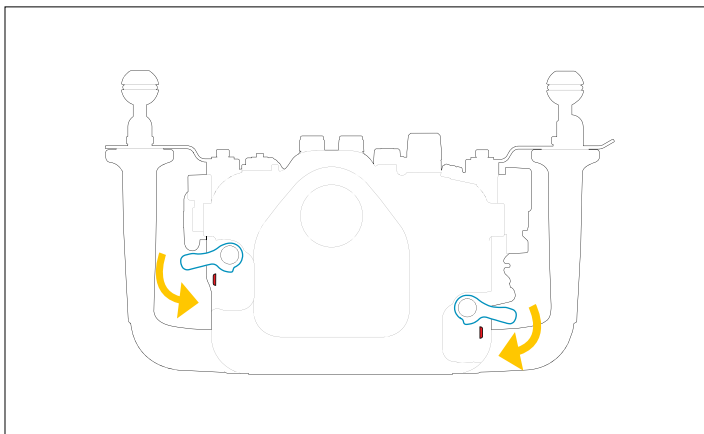
1



before closing the housing, clean and lubricate the main O-ring

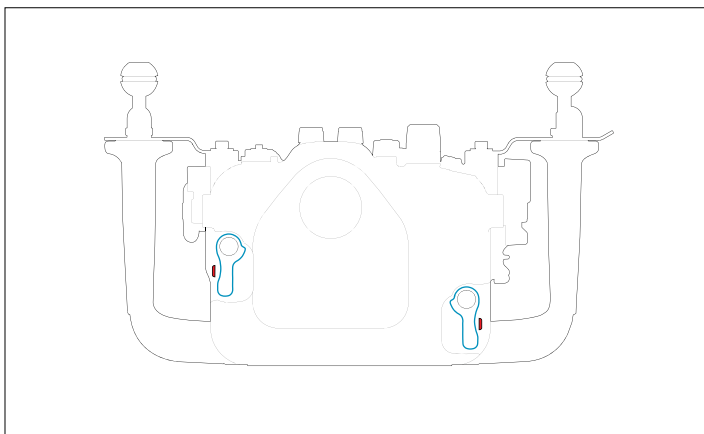
make sure nothing is caught between front and back housing and that they are fully aligned before locking

2



turn housing lock inward until you hear and feel it click into place

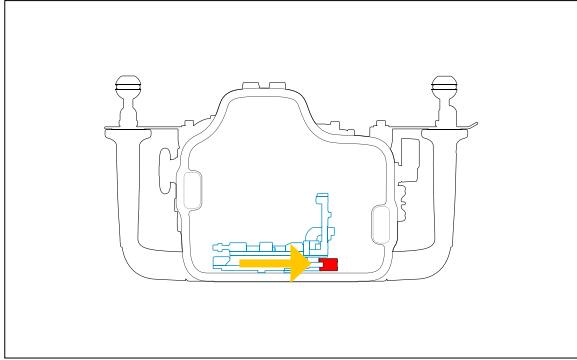
3



housing locked in place securely

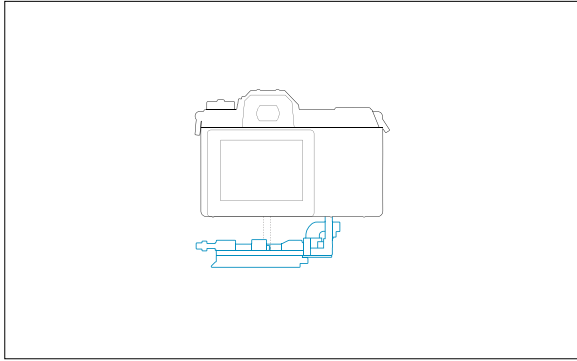
# PREPARATION FOR USE

1



unlock camera tray lever and remove the tray from the housing

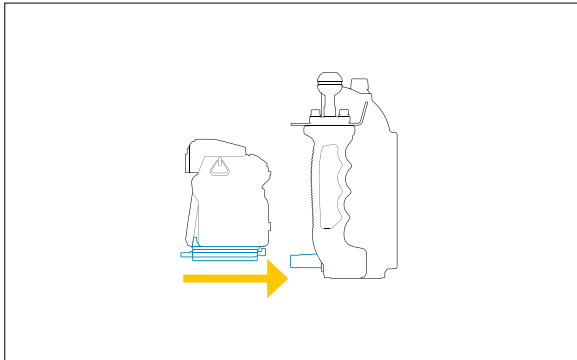
2



tilt the LCD monitor before attaching camera tray

attach the camera tray by tightening the tray screw into the tripod socket of the camera

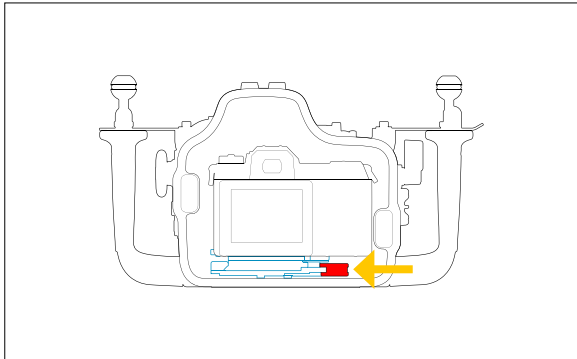
3



*\* pull out the zoom/focus knob if installing the camera with lens and gear attached*  
*\* please refer to page 10 for lens & port installment before sliding in the camera*

slide the camera tray back into the housing along the tray rail

4

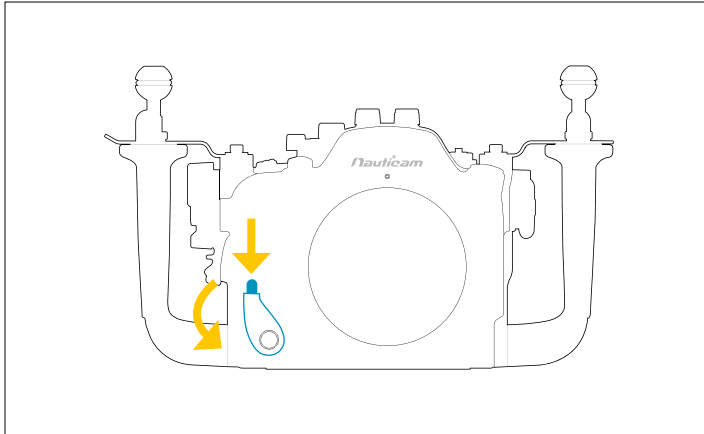


lock camera tray

*\* place the zoom/focus knob in place and make sure it is engaged with lens gear*

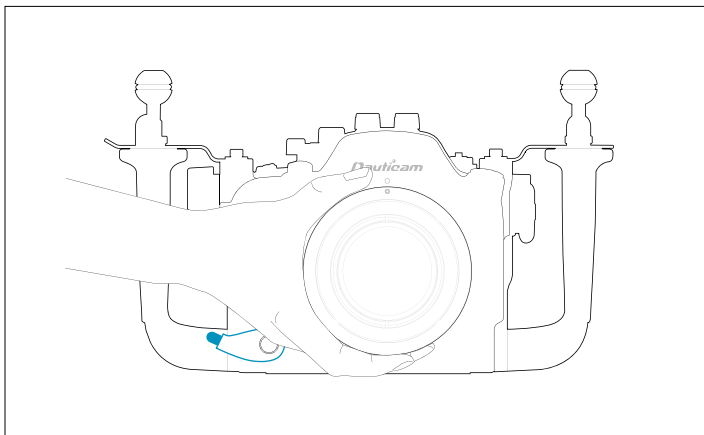
# PREPARATION FOR USE

1



once the camera and lens (with lens gear) is installed inside the housing, depress safety button and rotate anti-clockwise

2

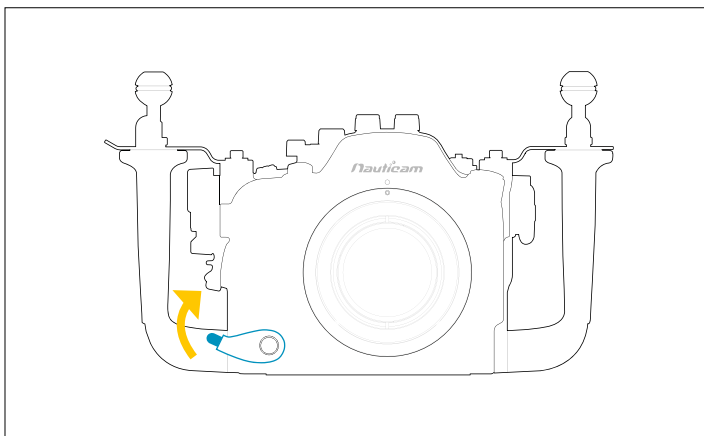


lubricant the port O-ring before mounting

align index mark

push port assembly straight in

3

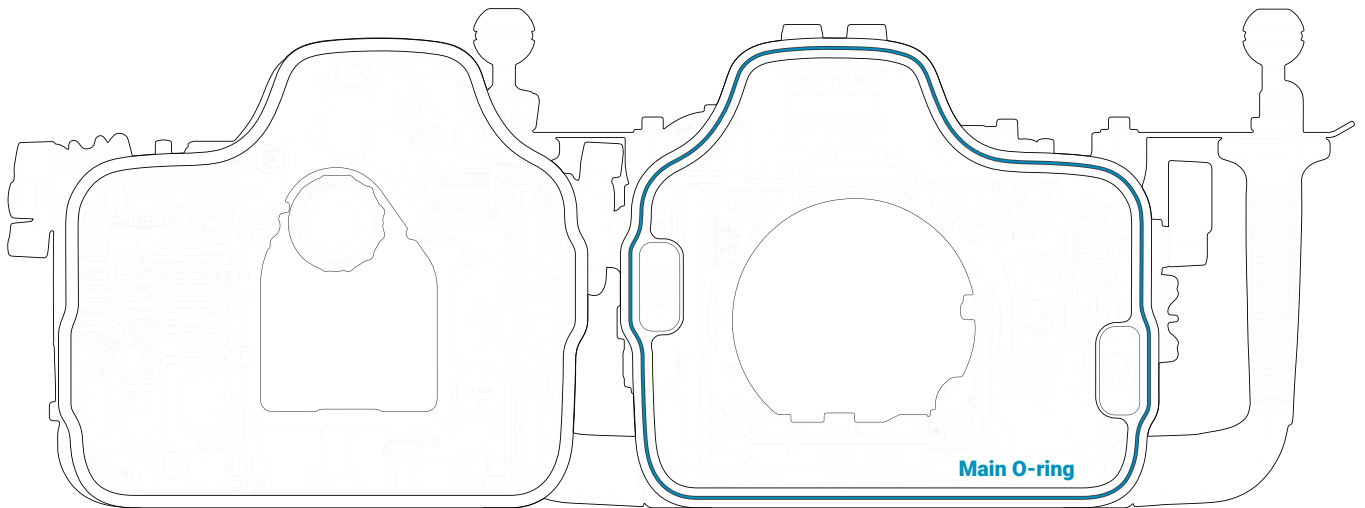


rotate locking lever clockwise to lock

# PREPARATION FOR USE

\* drawings as illustrations only

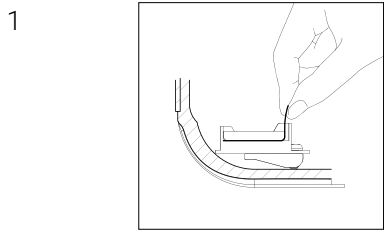
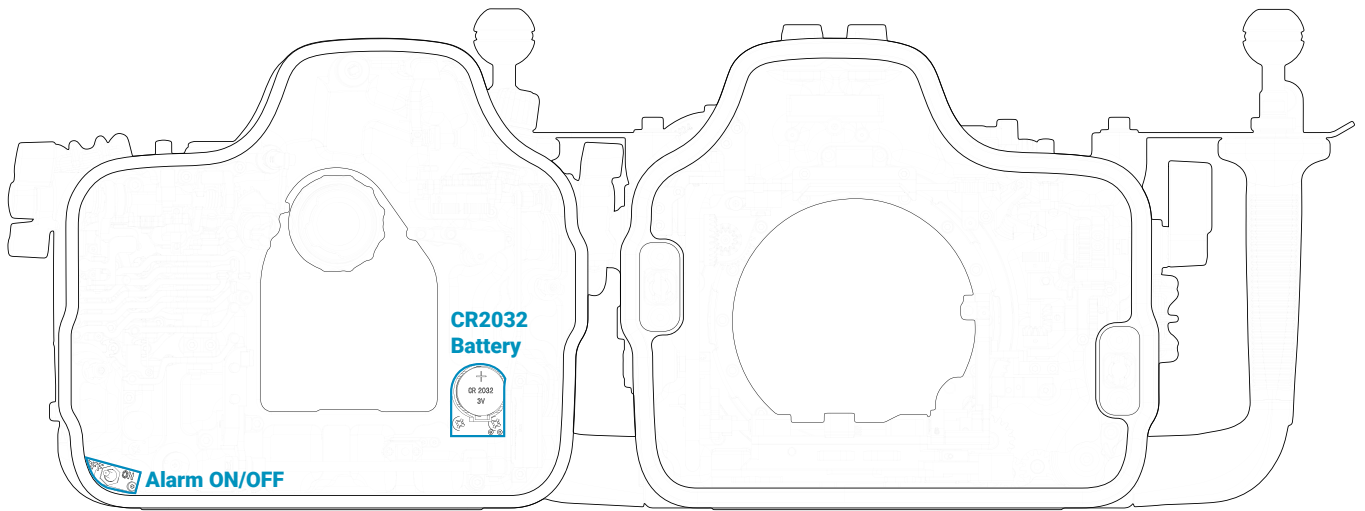
Coating housing O-ring



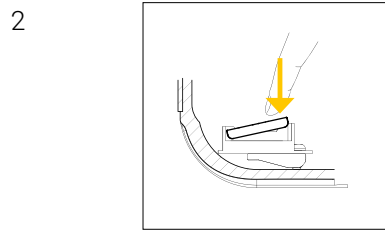
- 1  
remove the main O-ring using an O-ring remover
  
- 2  
clean the O-ring groove with a cloth and ensure that it is free from salt or other foreign materials
  
- 3  
lightly coat it with provided lubricant
  
- 4  
return the main O-ring by slowly pressing from one corner to the whole perimeter

# PREPARATION FOR USE

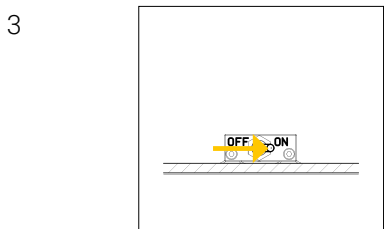
\* drawings as illustrations only Setting up moisture alarm



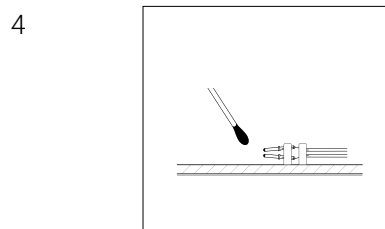
remove battery insulation film



press the battery down until it click into place



switch on the alarm  
- the moisture alarm window will flash in **BLUE** when it is working correctly



test the alarm  
- connect the wires with a dampened cotton bud; the alarm will give a repeating 'beep' and the moisture alarm window will flash **RED**

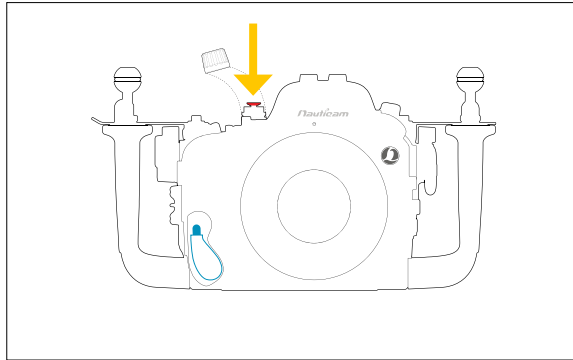
*\* please contact our authorized service centers if testing fails  
\*please refer to page 15 for complete vacuum system guidance*

# PREPARATION FOR USE

\* drawings as illustrations only

Changing lens/port without opening the housing

1

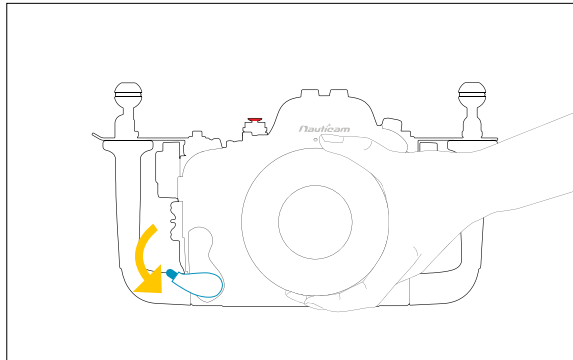


If using with vacuum valve :

remove the cap from the vacuum valve and press the red button to release pressure before unlocking port lock

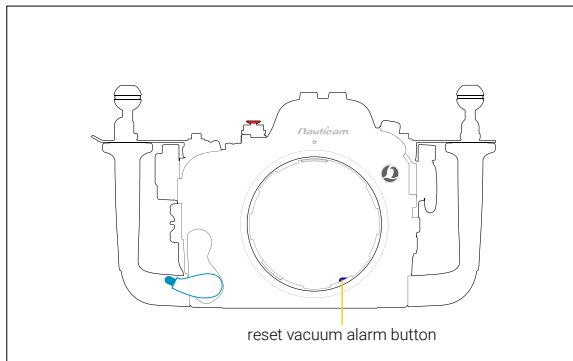
If using without vacuum valve, please follow from step 2

2



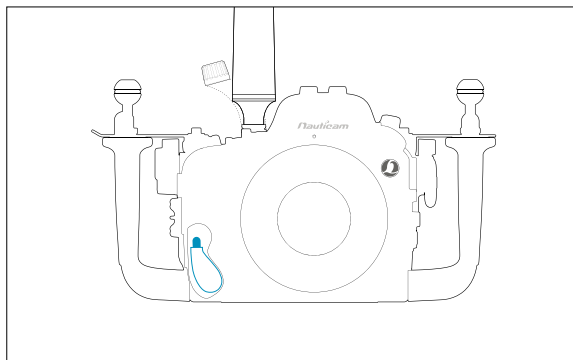
unlock port lock and remove port assembly

3



press the blue button to reset vacuum alarm before replacing port

4

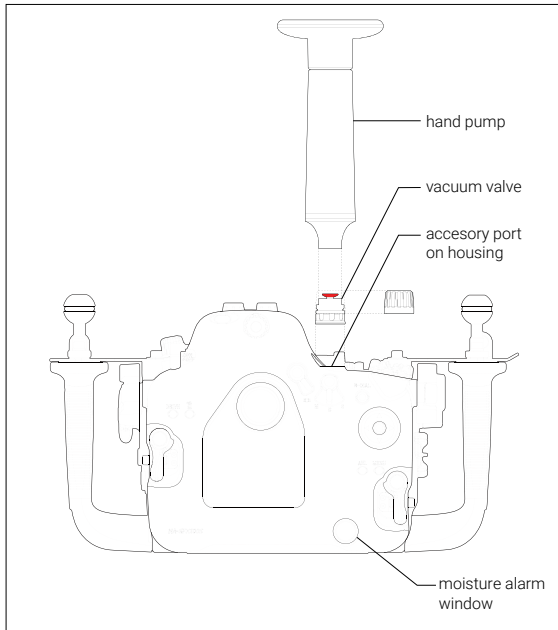


reset vacuum valve system using hand pump then close the cap

\* please refer to page 15 on complete vacuum system guidance

# OPTIONAL ACCESSORIES

1



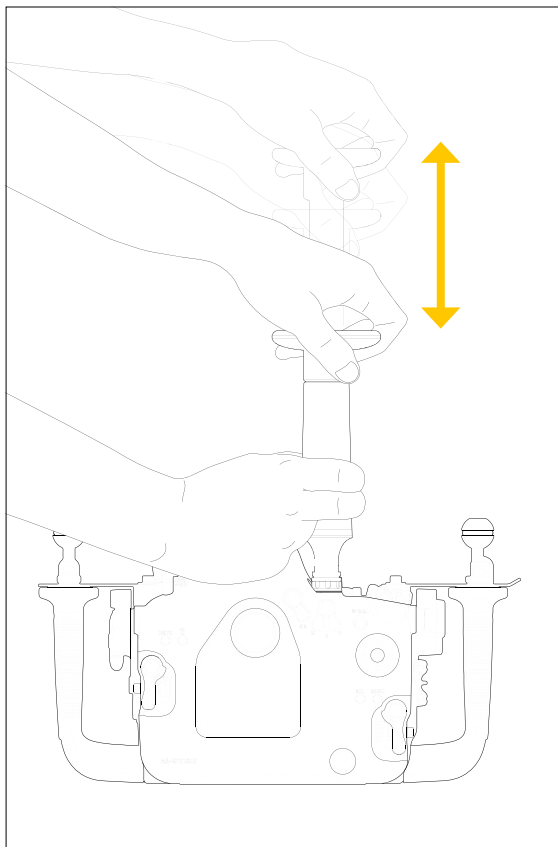
remove the plug of M16 accessory port from the housing

remove the cap from the vacuum valve

slightly lubricate the o-ring and make sure the o-ring is in place

then tighten the vacuum valve to the housing with the tool provided

2



connect hand pump to the valve and pump several times until it reaches the target vacuum level

close vacuum valve cap

Moisture alarm window colour indication :

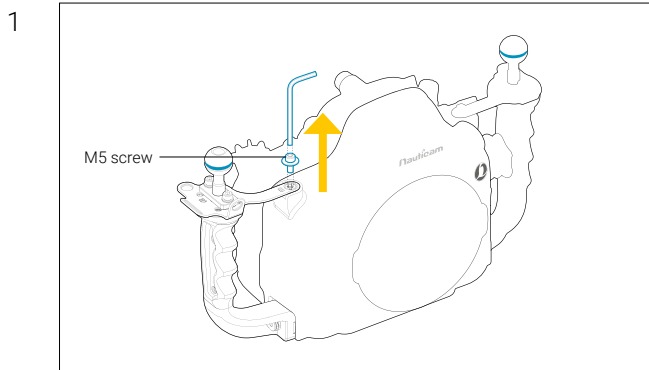
Steady Blue		device is turned on
Flashing Blue		standby mode, ready for pumping
Steady Green		target vacuum level is reached
Flashing Yellow		vacuum level is dropping
Flashing Red		vacuum is totally lost, circuit stalled until device is switched off
Alternating Blue and Red		vacuum is totally lost, circuit stalled until device is switched off
Steady Red		out of battery

*\* It is recommended to leave the housing for at least 20mins to ensure it is sealed. If the LED light changes from steady green light to rapidly flashing yellow light, that means there is a leakage. Please check every O-ring and then conduct the vacuum test again.*

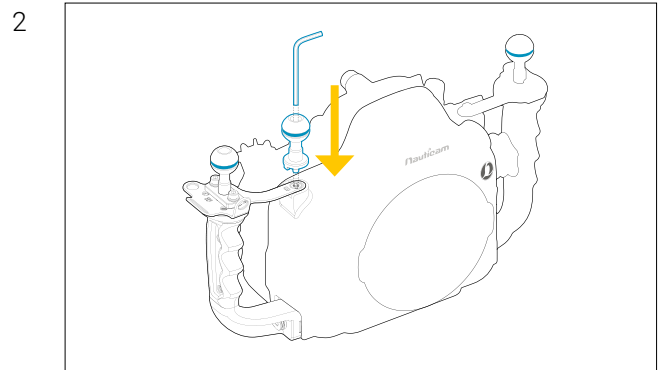
# OPTIONAL ACCESSORIES

\* drawings as illustrations only Strobe Mounting Ball

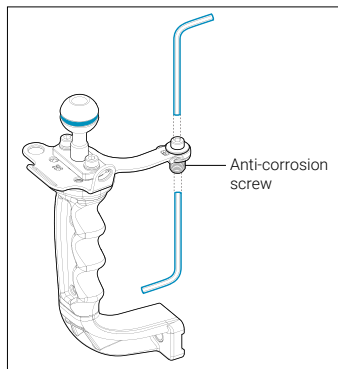
## Installing M5 Strobe Mounting Ball - **RECOMMENDED**



remove M5 screw with the allen key provided in the housing package

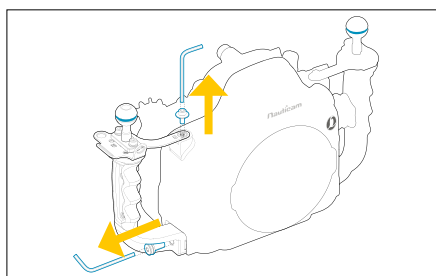


screw #25228 M5 Strobe mounting ball directing onto the M5 thread

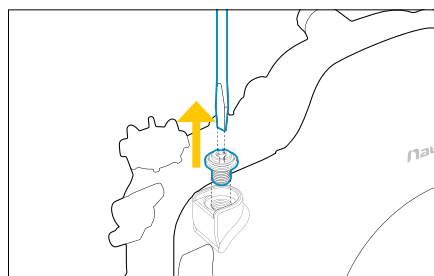


*\* the anti-corrosion screw may also be unscrewed while removing M5 screw, if this is happening, you can separate the parts as shown in the diagram on the left*

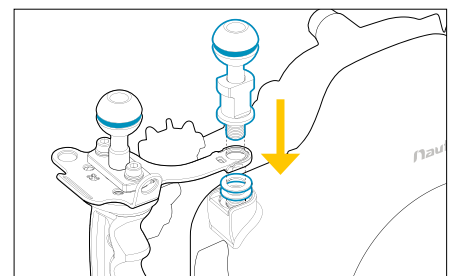
## Installing M10 Strobe Mounting Ball - Optional



1 remove M5 screw and housing handle screw on the side



2 take out the handle and remove the anti-corrosion screw



3 screw the M10 strobe mounting ball onto the housing as shown

## CARE/STORAGE

1

Soak the housing system in fresh water after salt water usage

2

Operate all controls and buttons at least 3 times while immersed in fresh water

3

We recommend cleaning and inspecting the main O-ring each time after diving for any damage and every time the housing is opened.

4

Protect the housing with robust and shock-proof travel case during transportation. Do not travel with camera inside housing.

5

We recommend to ship the housing to our service centers for a complete overhaul after 200 dives/every 2 years.

## WARRANTY

All NAUTICAM Housing Products and Viewfinders are warranted against any material and manufacturing defects for two years from the date of purchase for consumer use. NAUTICAM Optical Accessories are warranted against material and manufacturing defects for a period of one year, and HDMI cables carry a year warranty.

This warranty only applies to products purchased from authorized NAUTICAM dealers and does not extend beyond the original retail purchaser.

To return your product for service, please contact your regional authorized service center(s). Please note that this warranty only applies when the product is purchased in the territory where the service center is located.

NAUTICAM accepts no liability for any damage to and defects in the housing caused by improper use and/or poor maintenance; it is the responsibility of the owner to carefully follow the instructions in our manuals.

NAUTICAM does not hold responsibility for damage, of any nature, to any equipment used with and/or placed within our products.

NAUTICAM accepts no liability for any loss of captured images or the inability to capture images even if it is due to the malfunctioning of our products.

Unauthorized modifications and/or repairs of our products will automatically invalidate the warranty.

# SPECIFICATIONS

## Construction

Housing body	Hard Anodized Aluminium Alloy
Display window	Abrasion Resistant Polycarbonate

## Dimensions

Width	355 mm
Height	190 mm
Depth	142 mm

## Weight

In air	3.23 kg
Buoyancy in water	negative 0.05 kg (w/ camera & battery)

## Depth

Rating	100 m
--------	-------

## Port specifications

Port mount	N 120 Port System
Port accessories	1 x M28, 1 x M16, 1 x M14

## Optional accessories

25625 M16 Vacuum Valve II (pushbutton release)
32201 180° Straight Viewfinder
32203 45° Viewfinder
28130 Hand Strap for Handle Size L
28123 Pair of Size S Handle

## Buoyancy options

72216 Ø70x200mm Carbon Fibre Aluminium Float Arm (Buoyancy 370g)
72217 Ø70x250mm Carbon Fibre Aluminium Float Arm (Buoyancy 520g)
72218 Ø70x300mm Carbon Fibre Aluminium Float Arm (Buoyancy 670g)
72219 Ø90x170mm Carbon Fibre Aluminium Float Arm (Buoyancy 450g)
72220 Ø90x220mm Carbon Fibre Aluminium Float Arm (Buoyancy 720g)
72233 Single Bayonet Holder II for Ø70 Float Arm
72234 Double Bayonet Holder II for Ø70 Float Arm
72243 Single Bayonet Holder II for Ø90 Float Arm
72244 Double Bayonet Holder II for Ø90 Float Arm
83252 Single Bayonet Holder for Arms
83253 Double Bayonet Holder for Arms

## HDMI CONNECTION & MONITOR OPTIONS

### HDMI connectivity required accessories ( 2.0 )

25086 M24 adaptor for HDMI 2.0 cable (incl. tightening tool)
25077 M24D1R205-M28A1R170 HDMI 2.0 Cable (compatible from SN A467086)

### Monitor options

17922/S Nauticam Atomos Ninja V/V-S Housing for Atomos Ninja V 5" (excl. HDMI 2.0 cable)
--

### HDMI connectivity required accessories ( 1.4 )

25033 Standard HDMI Bulkhead with M16 Thread
25081 M24-M16 Step Down Adaptor
25076 HDMI (D-D) cable in 200mm length

\* 25033 is included in monitor housing packaging

### Monitor options ( 1.4 )

17923 NA-Shinobi-H Housing for Atomos Shinobi 5.2" 4K HDMI Monitor
17920 NA-502B-H Housing for SmallHD 502 Bright Monitor

---

## WET LENS COMPATIBILITY

Macro	81201	Super Macro Converter 1 (SMC-1, 2.3x magnification)
	81202	Super Macro Converter 2 (SMC-2, 4.0x magnification)
Macro to Wideangle	87302	EMWL Set#2 (incl. focusing unit #2, 150mm relay lens & 3 objective lenses)
Wideangle	85201	0.36x Wide Angle Conversion Port with Aluminium Float Collar (incl. N120 to N100 port adaptor)
	85204	0.57x Wide Angle Conversion Port 2 with Aluminium Float Collar (compatible with 14mm lenses)

### Optional wet lens accessories

---

25101 M67 flip diopter holder for M67 macro ports

---

25108 M67 Double Flip Holder for M67 Macro Ports

---

83213 M67 to Bayonet Mount Converter II

---

83214 Bayonet Mount Adaptor for SMC/CMC

---

87501 Flip Holder for EMWL

---

87512 Shade for 130° Objective Lens

---

87518 Strobe Mounting Brackets for EMWL Relay Lens

---

87517 EMWL Bayonet Holder for Ø90 Float Arm

---

*\*please refer to Nauticam port charts for more setup information.*

---

## FLASH TRIGGERING

### Optical TTL

---

Fujifilm EF-X20 TTL Flash

---

26216 Universal Optical Fiber Cable

---

### Electronic Strobe Connection

---

25020 Canon Hotshoe plug to M14 Nikonos bulkhead

---

25022 Canon Hotshoe plug to M14 Ikelite bulkhead

---

25056 M14 Nikonos 5-pin bulkhead with universal hotshoe connection

---

**Nauticam International Ltd.**

Rm 2203, CCT Telecom Bldg,  
11 Wo Shing St,  
Fo Tan,  
Hong Kong

Tel. +852 - 26902711  
Fax. +852 - 26909778  
URL. [www.nauticam.com](http://www.nauticam.com)  
Gallery. [www.nauticam.smugmug.com](http://www.nauticam.smugmug.com)