

Instruction Manual for 16410

N120 to N200 port adaptor for Epic/Weapon LT Housings

FOREWORD

Thank you for your purchase of a NAUTICAM product.

At NAUTICAM, we pride ourselves in the ability to recognize the requirements of professional as well as amateur underwater photographers and fulfill them through the innovative designs of our products. We strive to achieve a high level of user-friendliness by allowing stress-free installation and easy operation of all important functions of the camera. Please read this manual carefully before using the product, this will maximize its performance as well as its lifetime.

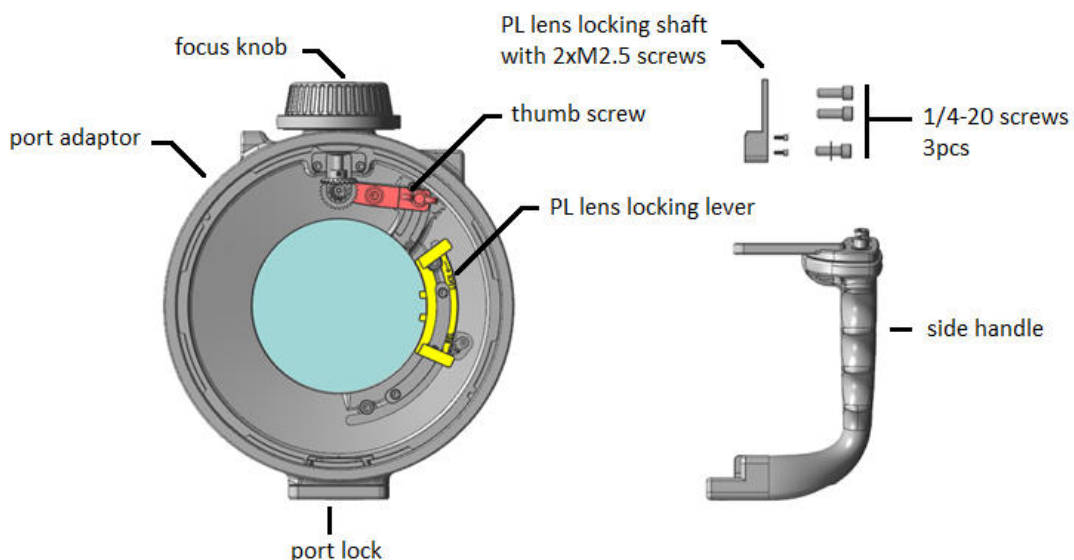
WARRANTY

All NAUTICAM Products are warranted against any material and manufacturing defects for two years from the date of purchase for consumer use. This warranty only applies to products purchased from authorized NAUTICAM dealers and does not extend beyond the original retail purchaser.

To return your product for service, please contact your regional authorized service center(s). Please note that this warranty only applies when the product is purchased in the territory where the service center is located.

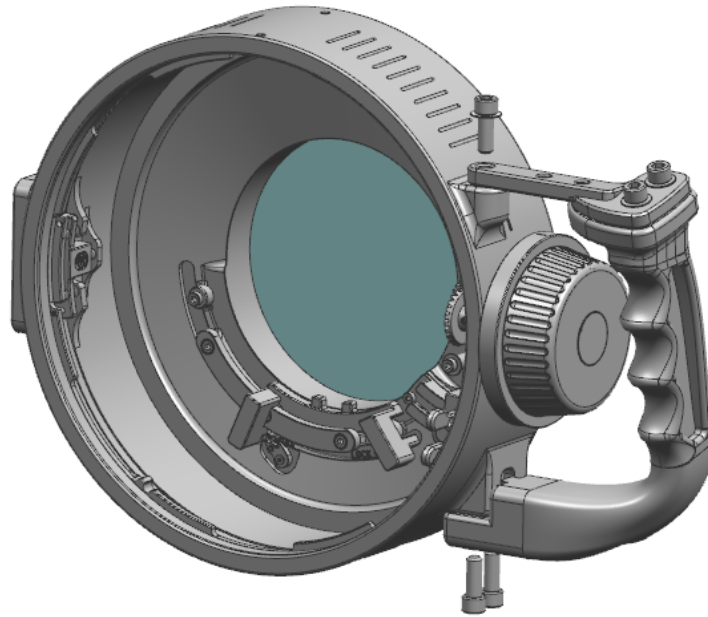
NAUTICAM does not hold responsibility for damage, of any nature, to any equipment used with and/or placed within our products. NAUTICAM accepts no liability for any loss of captured images or the inability to capture images even if it is due to the malfunctioning of our products. Unauthorized modifications and/or repairs of our products will automatically invalidate the warranty.

IDENTIFICATION OF PARTS



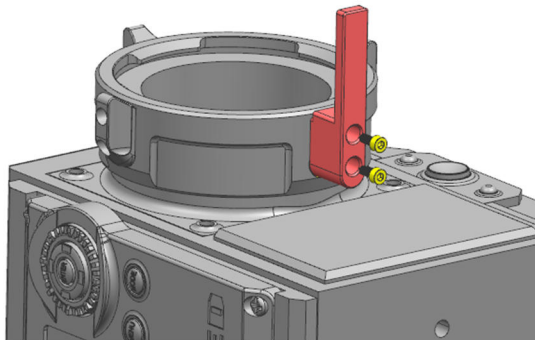
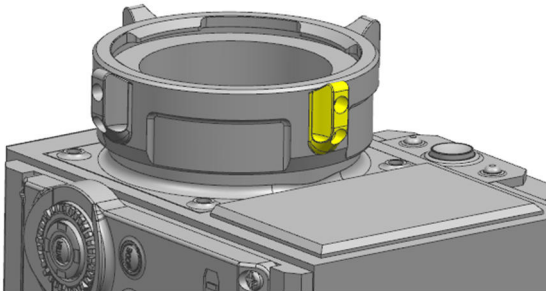
PREPARATIONS

1. Install side hand to Port Adaptor by fastening the 3pcs 1/4-20 screws shown below.



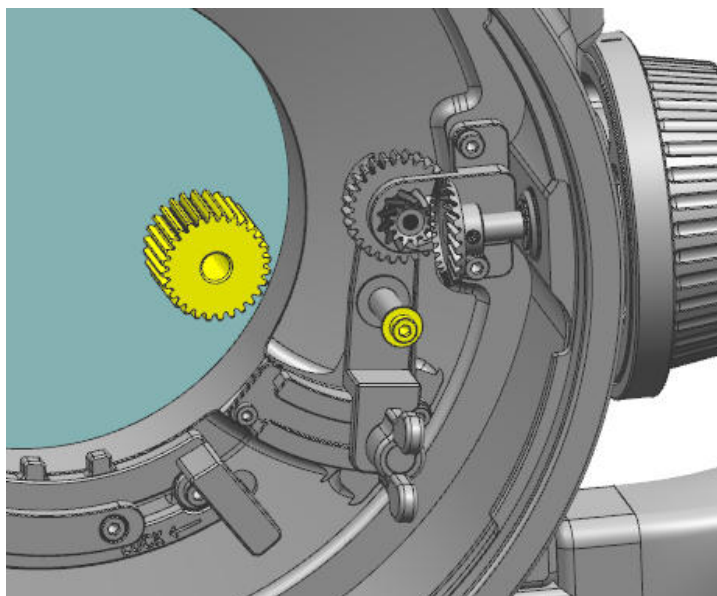
2. Install PL Lens Locking Shaft to RED DSMC PL Mount by replacing the bottom tab.

a.) Remove the bottom tab in yellow, **a T8 torx screw driver is required.**

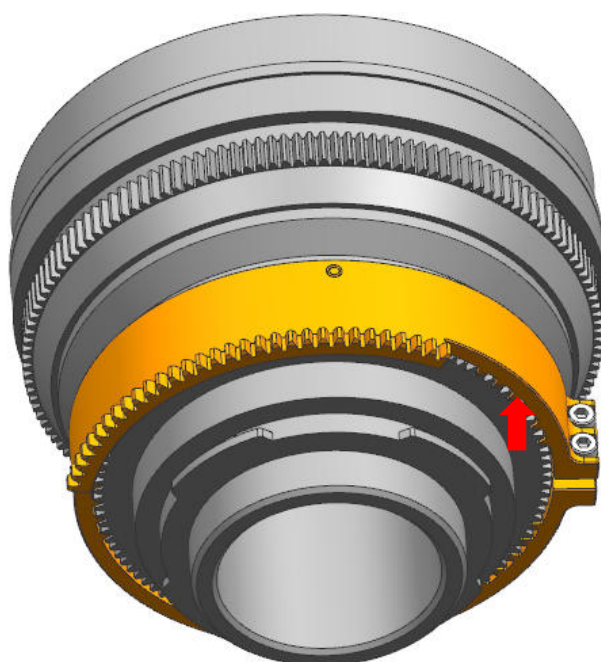


b.) fasten the offered PL lens locking shaft with 2pcs M2.5 screws.

3. Install focus gear and Iris gear set, which is required to order separately, These steps may vary and depend on which lenses used. Below is refer to 16437 Iris and Focus Gear Set for Zeiss Compact Prime CP.2

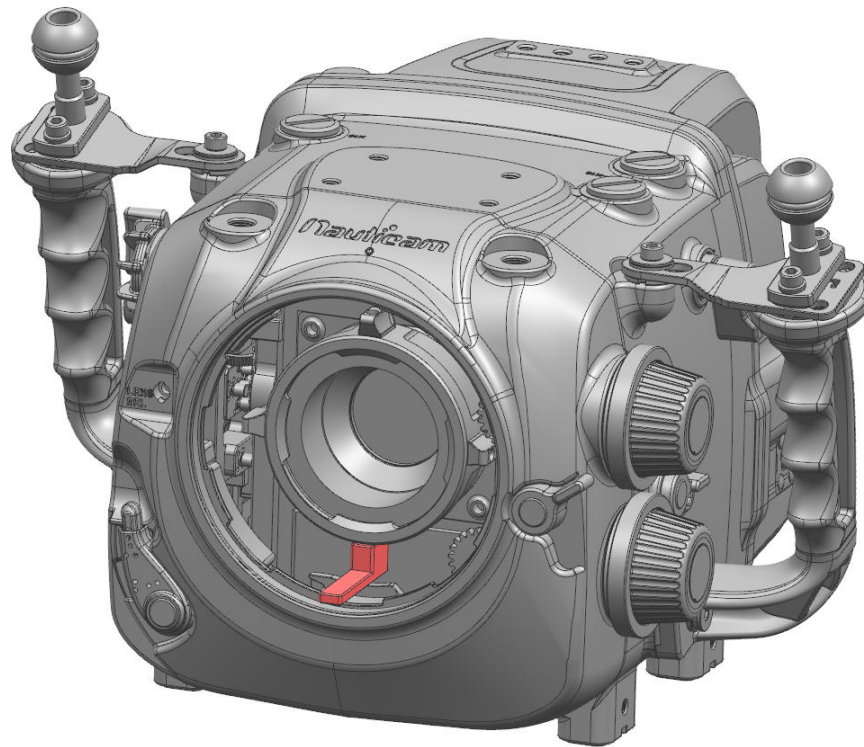


- a.) Focus gear - Unscrew the yellow screws, take it off with top plain washer, plug the yellow focus gear into shaft, then install plain washer and screw back.
- b.) Iris gear – Unscrew the 2pcs M3 screws fixed on Iris gear, place it over the lens. Make sure the flange of the ring upwards and the sides marked with red arrow are aligned, then fasten the 2pcs M3 screws.



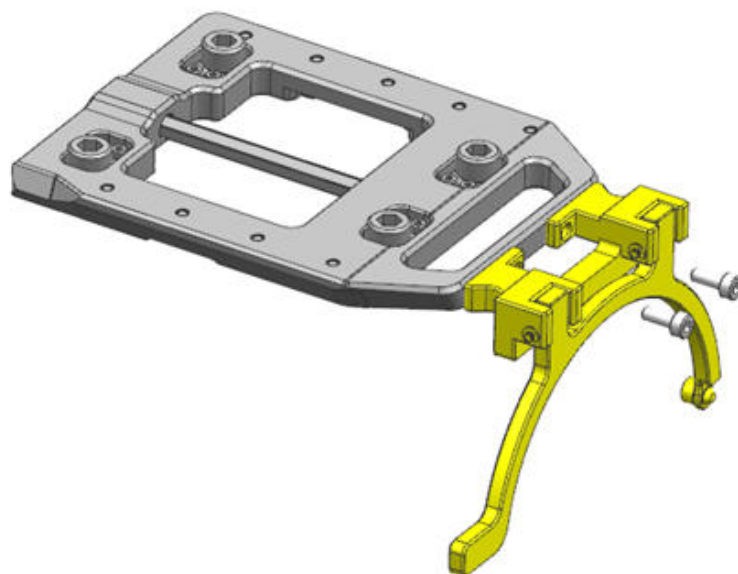
Iris gear for Zeiss Compact Prime CP.2

4. Install camera to Epic/Weapon(DSMC2) Housing.



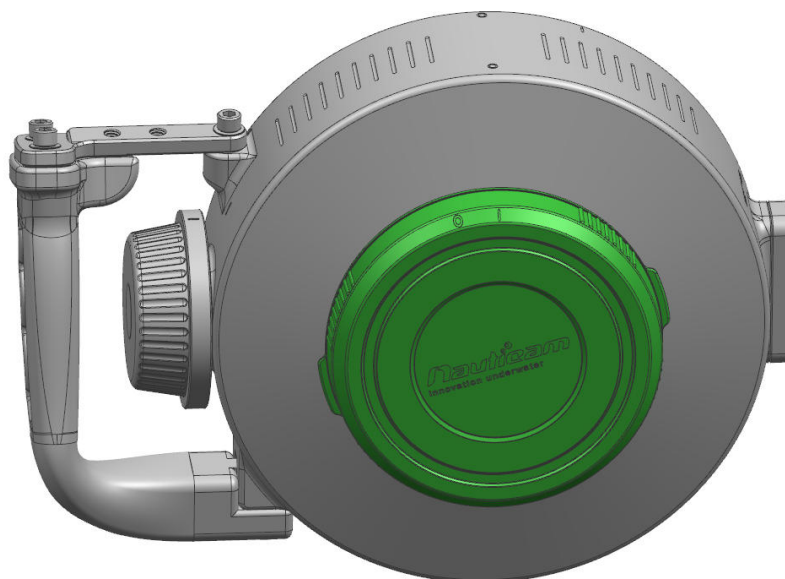
Remark:

EF Lens REL Mechanism highlighted in yellow is required to remove from camera tray for use with a PL lens.

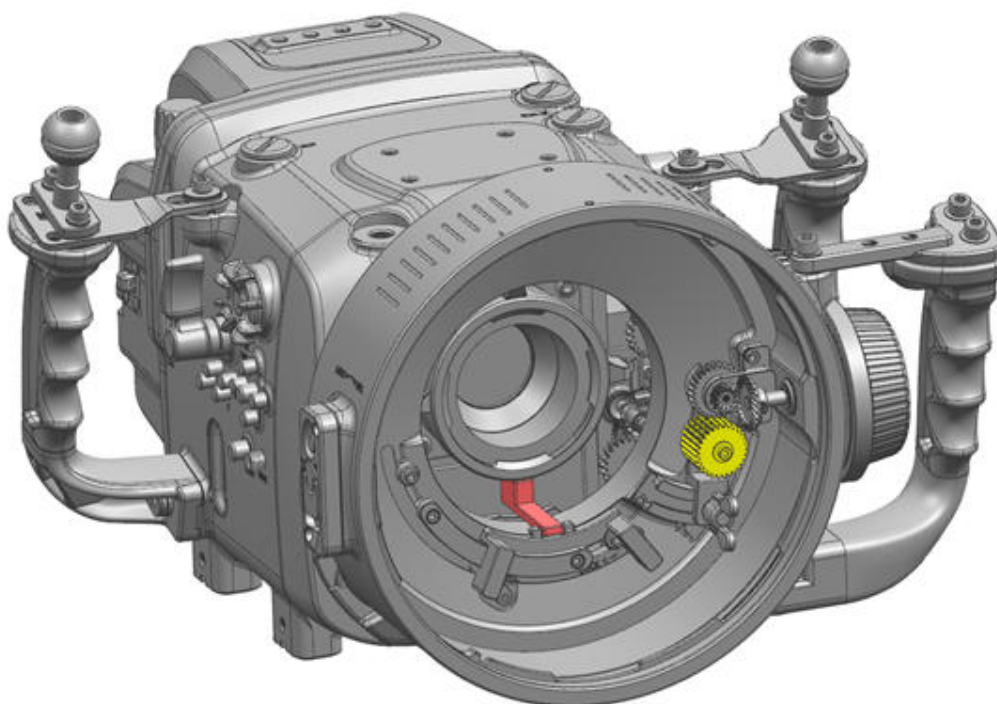


INSTALL PORT ADAPTOR AND LENS

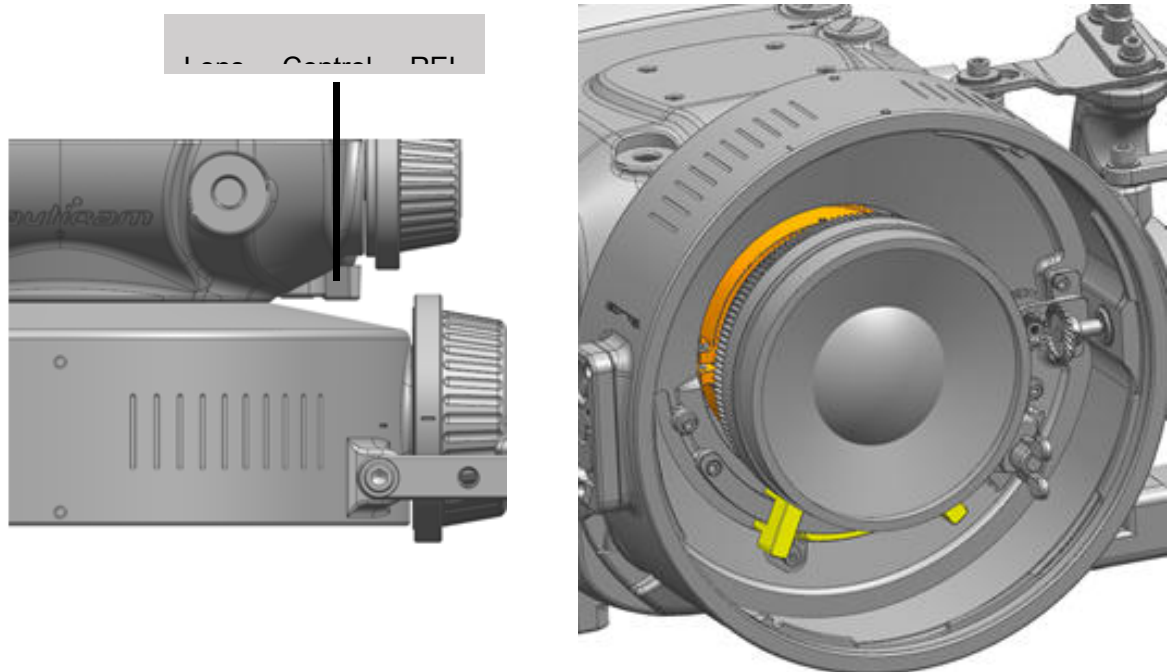
1. Remove the cap (turn the cap Counter-clock wise to align the dots on port adapter, then pull out)



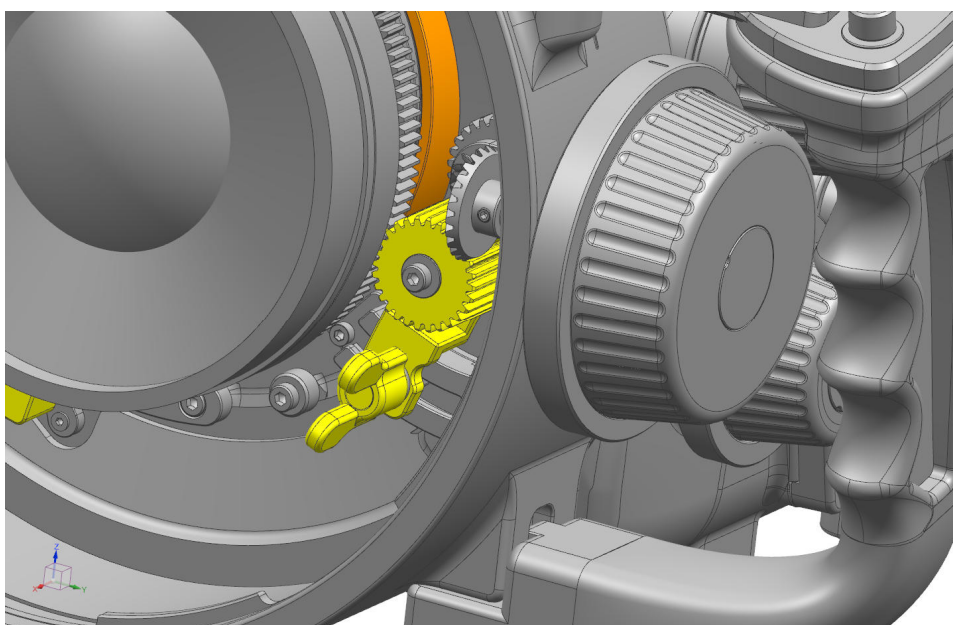
2. Install the N120 to N200 port adapter to housing.
 - lubricant the port O-ring before mounting.
 - Release the housing port lock and and PL mount lens Lock ring, make sure the PL lens Locking Shaft aligns to the lens Lock Lever inside port adaptor, then push the adaptor towards housing untill it can not go in further and close the port lock.



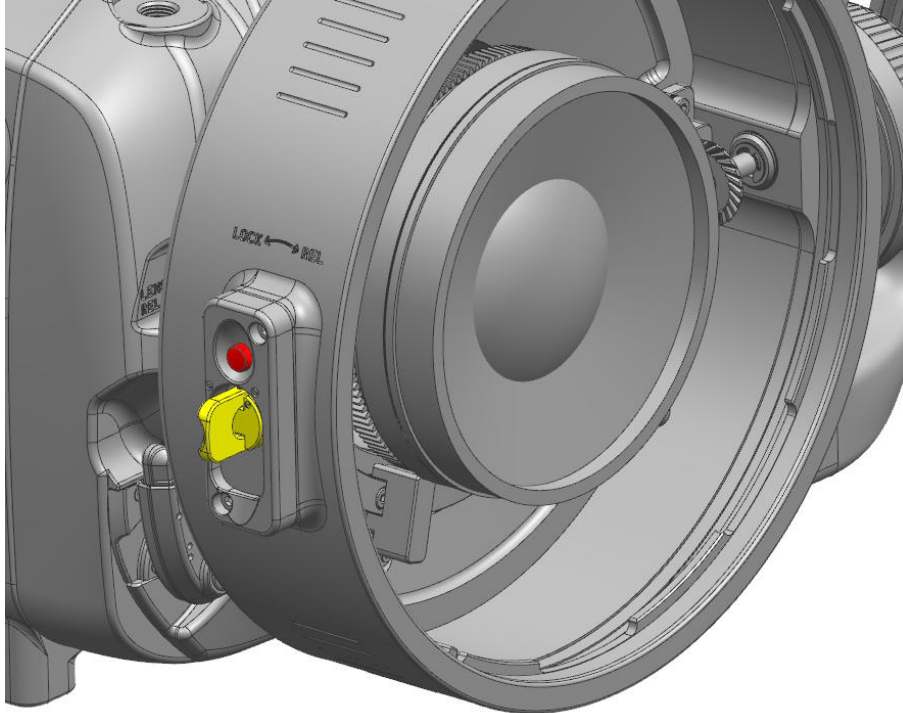
3. Install the PL lens with iris gear.
 - turn the Lens Control REL Lever downwards and plug the lens into PL mount, then fasten it by turning the PL lens locking lever clockwise.
 - turn the Lens Control REL Lever upwards to engage the gear mechanism.



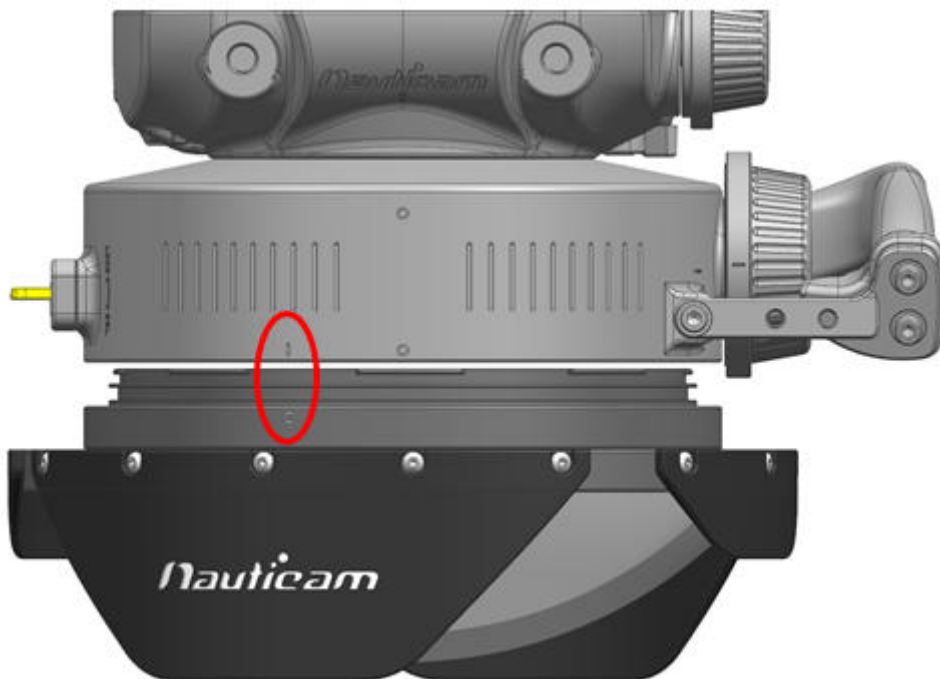
4. Align and adjust focus gear
 - screw the thumb screws, move the gear rack highlighted in yellow towards lens focus ring till they are engaged, then fasten the thumb screws. Turning the big Focus knob on port adaptor, the movement should be smoothly and no backlash, otherwise adjust it again.



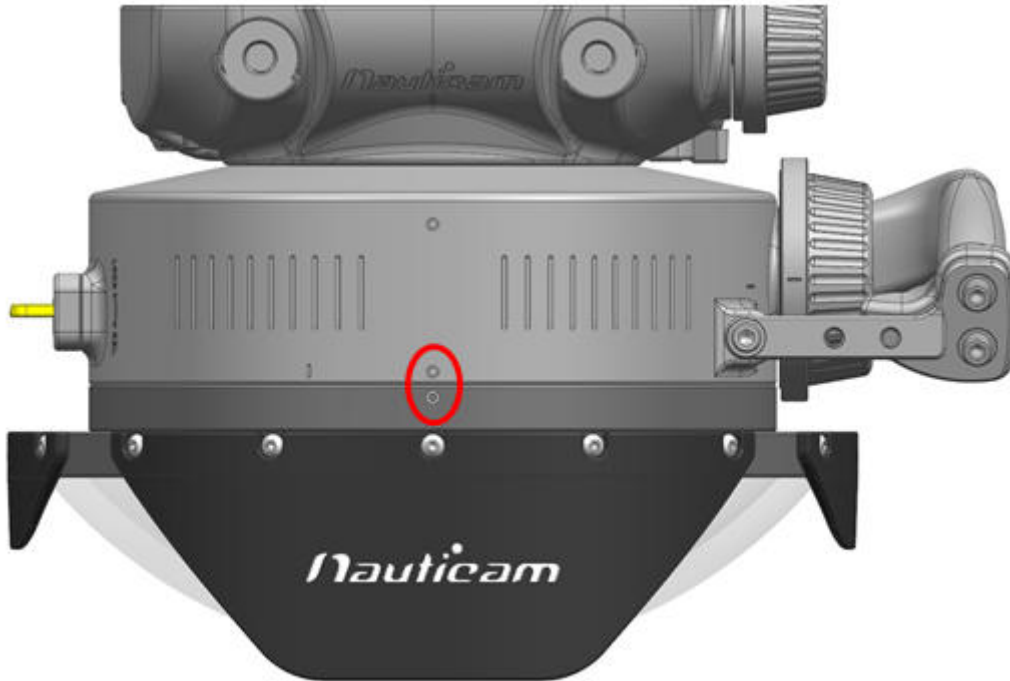
5. Install N200 ports(an extension ring is required when use with specific lens)
 - a.) Press and hold the red safty button, then lift up the port lock lever and turn it clockwise until it stops to release the port locking latch.



- b.) Align the white dot on port to "I" make on adaptor, then push it into place and turn it clockwise till the two white dots are aligned.



Two white dots align status.



c.) Turn the port lock lever anti-clock wise till stopped, then flip down shown below.



COMPATIBLE LENS AND ACCESSORIES.

16431	Iris and Focus Gear Set for ARRI Ultra Prime
16432	Iris and Focus Gear Set for Canon CN-E Prime (EF mount)
16433	Iris and Focus Gear Set for Leica Thalia
16434	Iris and Focus Gear Set for Leica Summicron-C
16435	Iris and Focus Gear Set for Sigma Cine Prime (EF mount)
16436	Iris and Focus Gear Set for Tokina Cinema Vista (EF mount)
16437	Iris and Focus Gear Set for Zeiss Compact Prime CP.2
16438	Iris and Focus Gear Set for Zeiss Compact Prime CP.3 (EF mount)
16439	Iris and Focus Gear Set for Leica Summilux-C
16338	Atlas Orion Gears to Use in 16410