

## 16409 N120 Adaptor for Nikon-R UW Nikonos RS Lenses with RED DSMC Lens Mount

### Instruction Manual

#### FOREWORD

Thank you for your purchase of a NAUTICAM product.

At NAUTICAM, we pride ourselves in the ability to recognize the requirements of professional as well as amateur underwater photographers and fulfill them through the innovative designs of our products. We strive to achieve a high level of user-friendliness by allowing stress-free installation and easy operation of all important functions of the camera.

Please read this manual carefully before using the product, this will maximize its performance as well as its lifetime.

#### WARRANTY

All NAUTICAM Products are warranted against any material and manufacturing defects for two years from the date of purchase for consumer use. This warranty only applies to products purchased from authorized NAUTICAM dealers and does not extend beyond the original retail purchaser.

To return your product for service, please contact your regional authorized service center(s). Please note that this warranty only applies when the product is purchased in the territory where the service center is located.

NAUTICAM does not hold responsibility for damage, of any nature, to any equipment used with and/or placed within our products.

NAUTICAM accepts no liability for any loss of captured images or the inability to capture images even if it is due to the malfunctioning of our products.

Unauthorized modifications and/or repairs of our products will automatically invalidate the warranty.

#### IDENTIFICATION OF PARTS



This item is compatible for Nauticam Epic LT and Weapon(DSMC2) LT Housing.

## INSTALLATION PROCEDURES

1. attach the Nikonos RS Lens Mount to RED DSMC camera.

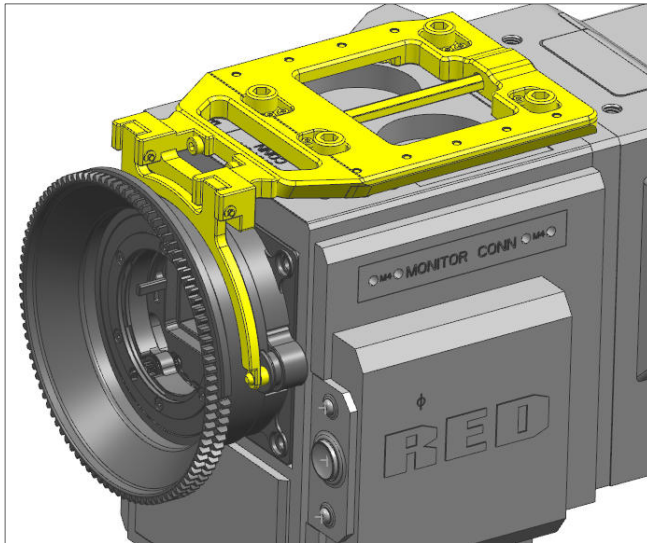


- a). Unscrew the 4pcs torx screws and take off the RED DSMC PL mount/Canon Mount/Nikon Mount, etc. The torx wrench is included in lens mount package.



- b). Attached the Nikonos RS Lens Mount to RED DSMC camera, Make sure the Lens REL button on the right side, then fasten the 4 torx screws back and tightly.

2. Install the RED DSMC camera with Nikonos RS Lens Mount to housing



a). Top camera tray

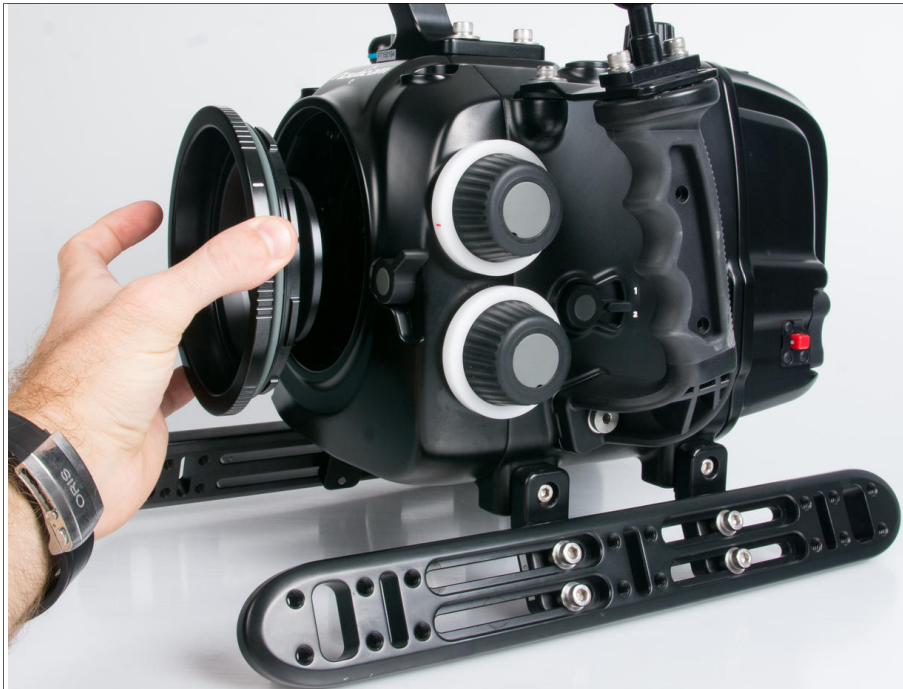


b). Lens Control REL Lever

- a). attach the top camera tray with 4pcs, make sure the Lens REL Lever is aligned to the Lens REL button.
- b). turn the Lens Control REL Lever on housing downwards till it stops.
- c). Install the RED DSMC camera with Nikonos RS Lens Mount to housing.
- d). turn the Lens Control REL Lever upwards. Then, Rotate the upper focus knob on housing can drive Focus Gear, and rotate the lower iris knob can drive Iris Gear.



3. Install the N120 port adaptor.



4. Install Nikon RS lens to housing.  
please align the index point on lens to white line on N120 port adaptor, then plug the lens into RS Lens mount and turn lens anti-clockwise till it locked.



5. Attach the supplied Iris Marking Ring on lower iris knob  
Pull out the original white disc and turn the iris knob till it stops, place the supplied Iris Marking Ring over iris knob and push into place. Please make a mark on housing to point 2.8 or 22 with painting pen for indicator and easy view underwater.

for uninstall the RS lens, please press down and hold the Lens REL button on front housing left, then turn the lens clockwise till it stops and pull out.

Remark: Nauticam supports only e-manuals. Please download corresponding product manuals on [Nauticam.com](http://Nauticam.com) website, or contact us for e-manuals.